

# Parts Catalog

## Admiral PLUS 38 C Rider Sweeper / Scrubber



## Table of Contents

Covering (L.H.) (97110787-1) .....	4
Covering (R.H.) (97110787-2) .....	8
Frame (97118129) .....	12
Front wheel drive (97110431) .....	16
Steering (97042352) .....	20
Service brake - Accelerator pedal (97118152-1) .....	22
Parking brake (97118152-2) .....	26
Brake air conduit scheme (97118152-3) .....	28
Seat group (97126452) .....	30
Wiper cpl. (97110126) .....	32
Brush lifting (97115570) .....	38
Cylindrical brush drive aggregate (97110654) .....	40
Hopper (97127179) .....	61
Suction unit (97075337 7580-12) .....	67
Water circulation (97110704) .....	71
Squeegee (97042360) .....	75
Lifting assy for suction (97042345) .....	77
Rear wheels (97042311) .....	81
Electrical equipment part 1 (97111868-1) .....	87
Electrical equipment part 2 (97111868-2) .....	91
Labels (97126742) .....	97

This manual covers all standard models:

**Model No.**

The machine will provide excellent service. However, the best results will be obtained if:

- The machine is operated with reasonable care.
- The machine is maintained regularly per the maintenance schedule in the instruction manual provided.
- The machine is maintained with PowerBoss OEM supplied or equivalent parts.

All right side and left side references to the machine are determined by facing the direction of forward travel. Parts may be ordered by phone or mail from any PowerBoss parts and service center. Before ordering parts or supplies be sure to have your machine model number and serial number handy.

Fill out the data block below for future reference.

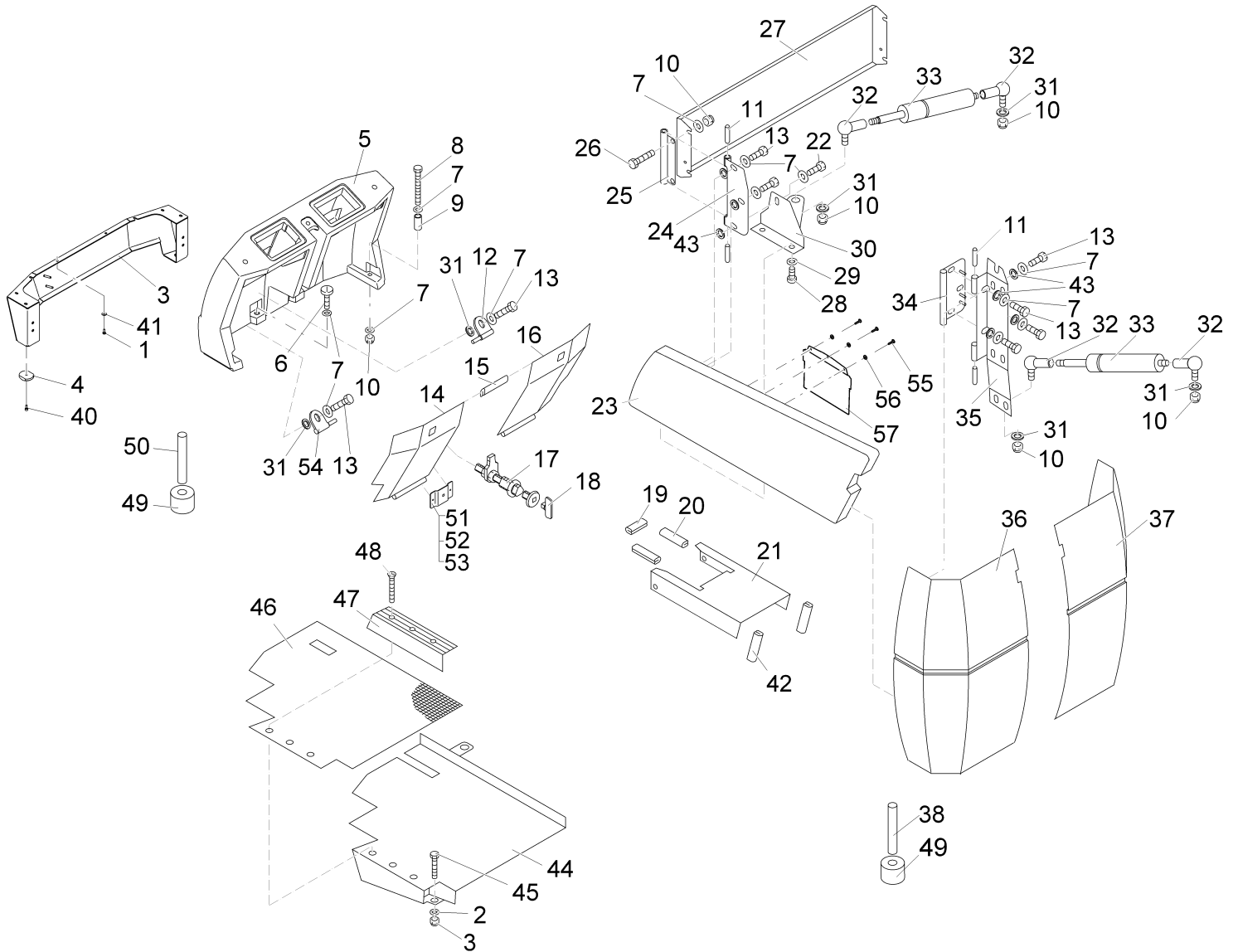
MACHINE DATA Fill Out At Installation	
Model:	
Serial Number:	_____
Sales Rep or Dealer:	_____
Date of Install:	_____
Manual p/n:	4100059

All information contained in this manual is current at the time of printing However, PowerBoss Reserves the right to make changes at any time without notice.

© 2018, Powerboss, Inc., Printed in USA

All rights reserved. This manual may not be copied or reproduced in any form, without the written permission of PowerBoss, Inc.

**Covering (L.H.) (97110787-1)**

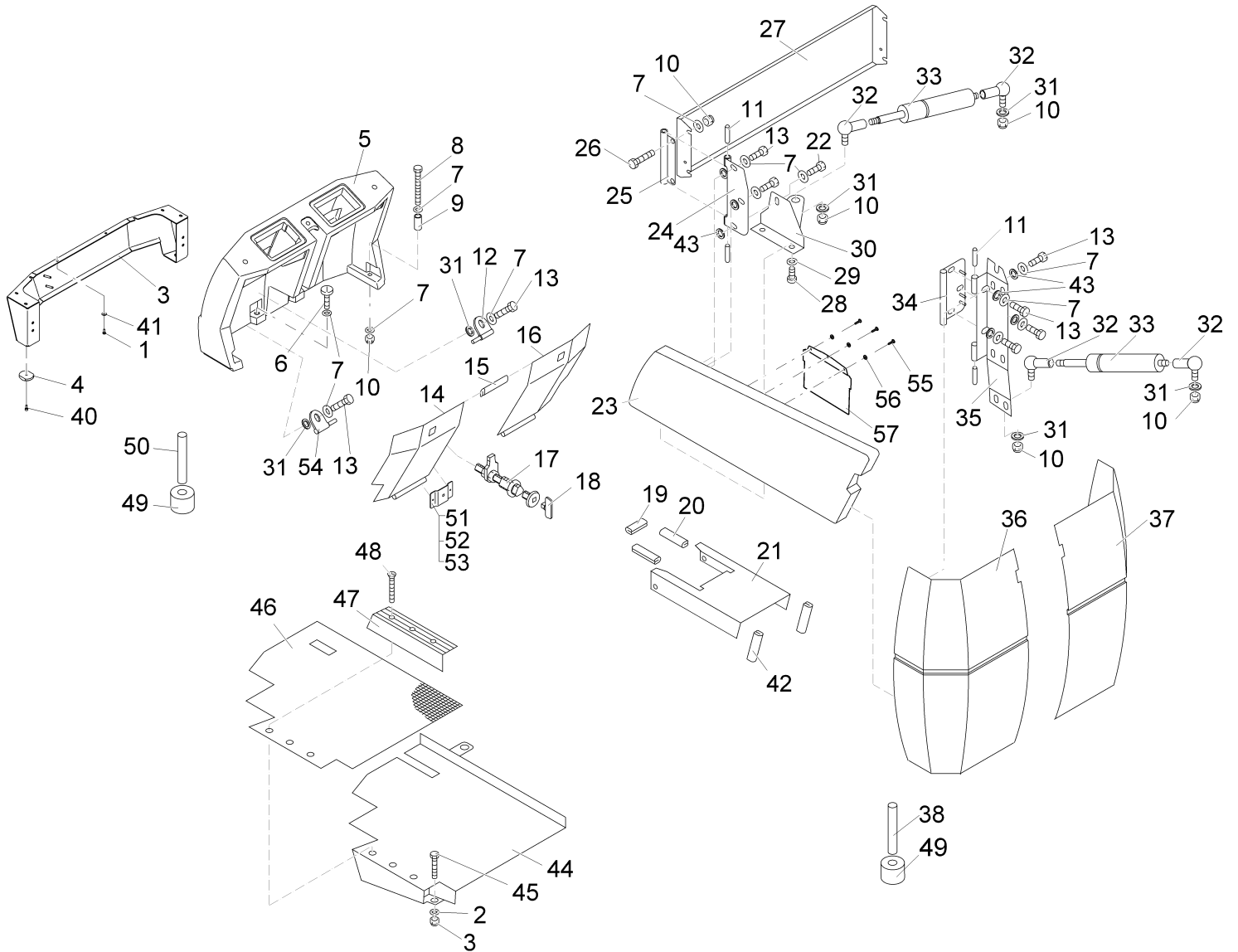




**Covering (L.H.) (97110787-1)**

Item	Part number	Description	Qty.	Unit	Remarks
1	00053090	Hexagon screw	9		
2	00135120	Washer	4		
3	03011570	Underride protection	1		
4	01070970	Stay	2		
5	03012410	Front panel	1		
6	00109720	Screw	1		
7	00042900	Washer	20		
8	00074260	Hex.bolt	12		
9	00975110	Bushing	2		
10	00051510	Hex. Nut	6		
11	00155070	Cylinder pin	4		
12	00975100	Bolt	1		
13	00536320	Hex.bolt	11		
14	00722190	Sheet metal L.H.	1		
15	00681570	Edge protection	0,200		
16	00722180	Sheet metal R.H.	1		
17	00975120	Bolt lock	1		
18	00975170	Key	1		
19	00461460	Edge protection	0,160		
20	00752350	Edge protection	0,220		
21	01275910	Hood	1		
22	00053080	Hexagon screw	1		
23	00980050	Side door left	1		
24	00980740	Plate	1		
25	00980770	Plate	1		
26	00053100	Hexagon screw	2		
27	00035220	Plate	1		
28	00959220	Screw	3		
29	00053720	Washer	2		
30	00975090	Angle	1		
31	00053750	Washer	6		
32	00527690	Angle joint	4		
33	00159800	Gas spring	2		
34	00980790	Plate	1		
35	00980810	Angle	1		
36	00980010	Door left	1		

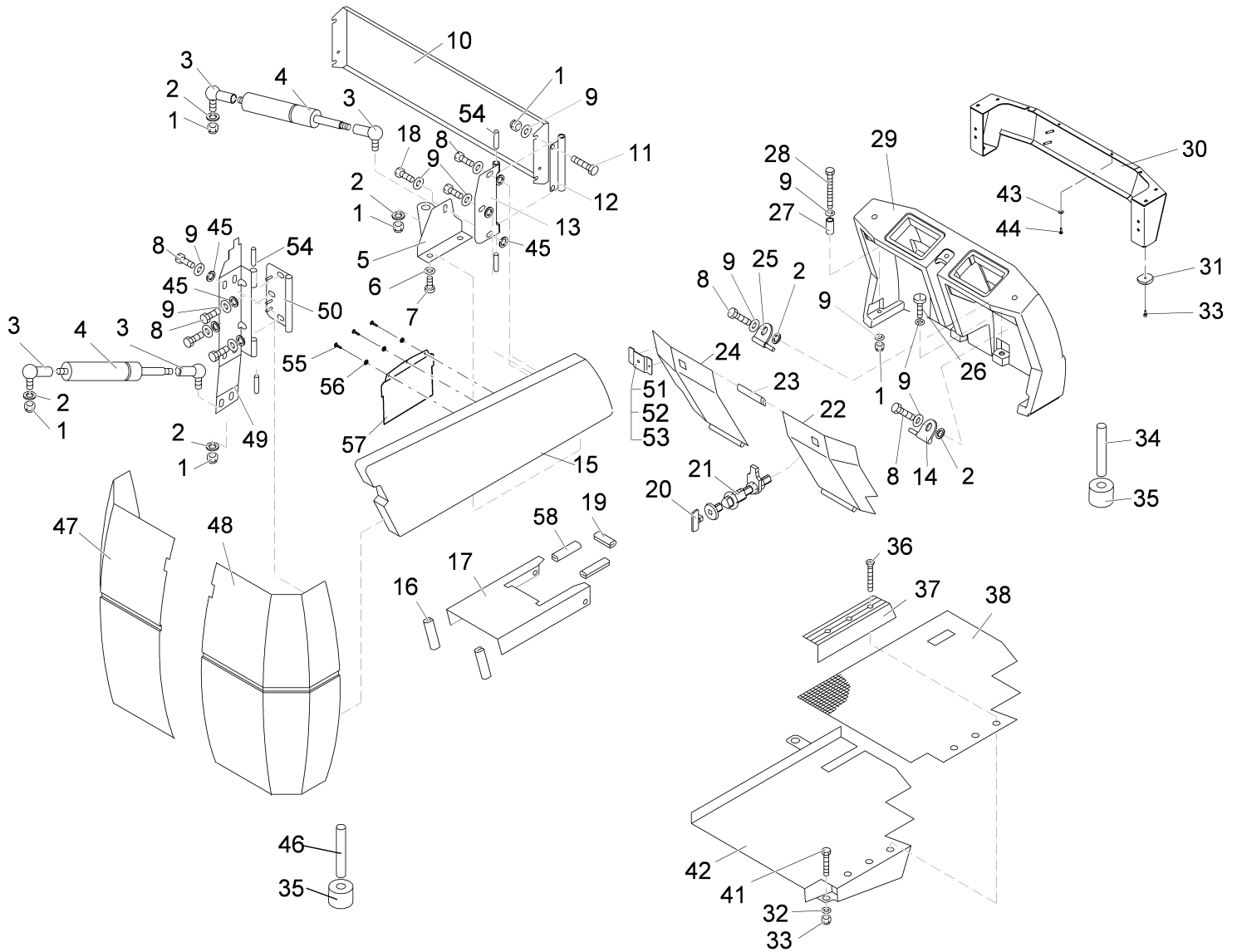
**Covering (L.H.) (97110787-1)**



**Covering (L.H.) (97110787-1)**

Item	Part number	Description	Qty.	Unit	Remarks
37	00980030	Door right	1		
38	00102290	Bolt	1		
40	00102790	Cylinder head screw	1		
41	00740080	Washer	9		
42	00752350	Edge protection	0,340		
43	00053730	Washer	4		
44	00980560	Bottom plate	1		
45	00053020	Hexagon screw	1		
46	00980610	Floor mat	1		
47	00975140	Step plate	1		
48	00551140	Tapping screw	3		
49	00975150	Roller	2		
50	01275920	Bolt	2		
51	00695730	Holder	1		
52	00023640	Cable clip	1		
53	01177820	Blind rivet	1		
54	00959640	Bolt	1		
55	00905520	Screw	3		
56	00555520	Washer	3		
57	01078280	Bag	1		

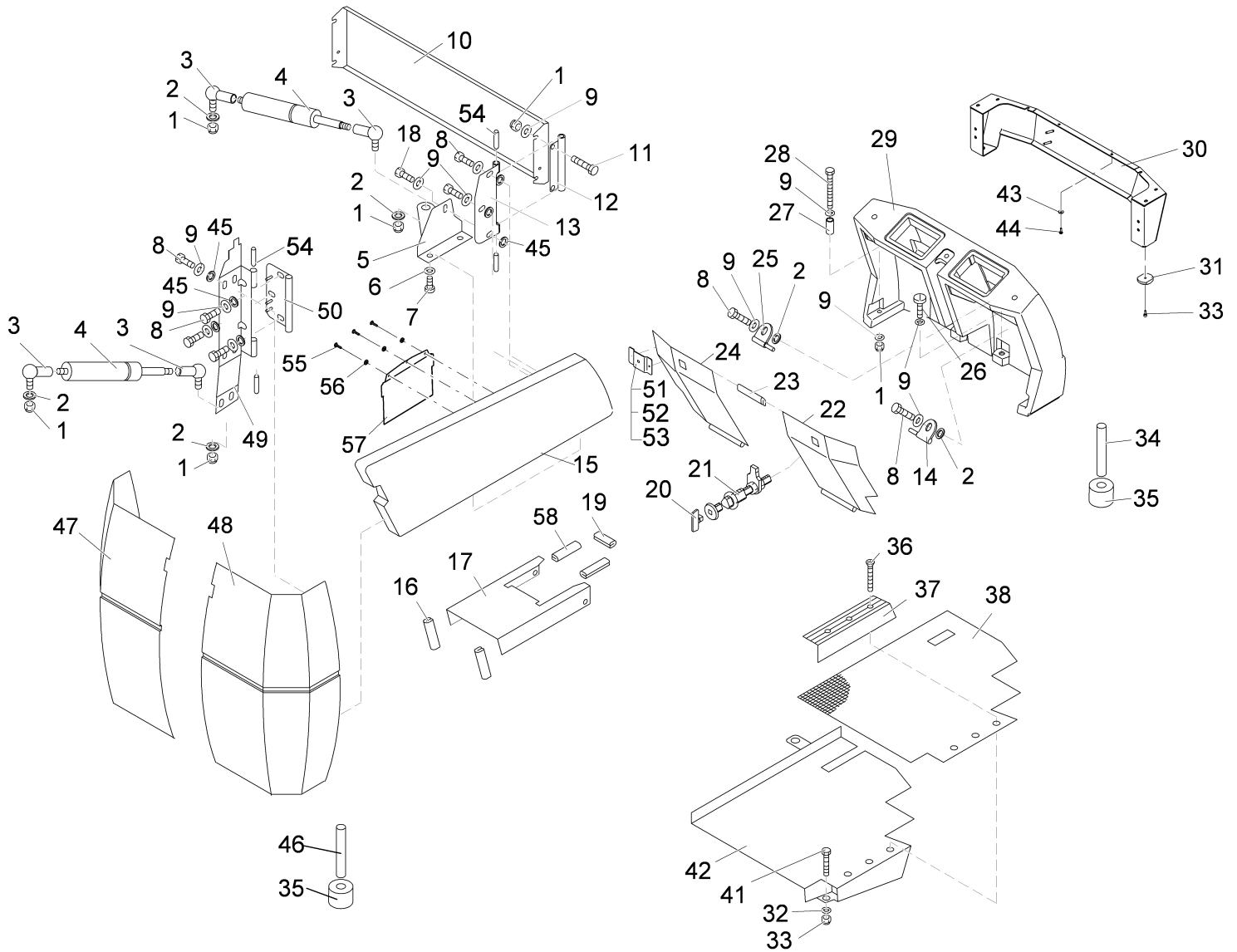
**Covering (R.H.) (97110787-2)**



**Covering (R.H.) (97110787-2)**

Item	Part number	Description	Qty.	Unit	Remarks
1	00051510	Hex. Nut	6		
2	00053750	Washer	6		
3	00527690	Angle joint	4		
4	00159800	Gas spring	2		
5	00975080	Angle	1		
6	00053720	Washer	2		
7	00959220	Screw	3		
8	00536320	Hex.bolt	11		
9	00042900	Washer	20		
10	00035220	Plate	1		
11	00053100	Hexagon screw	2		
12	00980770	Plate	1		
13	00980780	Plate	1		
14	00975100	Bolt	1		
15	00980070	Side door right	1		
16	00752350	Edge protection	0,340		
17	01275910	Hood	1		
18	00053080	Hexagon screw	1		
19	00461460	Edge protection	0,160		
20	00975170	Key	1		
21	00975120	Bolt lock	1		
22	00722180	Sheet metal R.H.	1		
23	00681570	Edge protection	0,200		
24	00722190	Sheet metal L.H.	1		
25	00959640	Bolt	1		
26	00109720	Screw	1		
27	00975110	Bushing	2		
28	00074260	Hex.bolt	2		
29	03012410	Front panel	1		
30	03011570	Underride protection	1		
31	01070970	Stay	2		
32	00135120	Washer	4		
33	00102790	Cylinder head screw	1		
34	01275920	Bolt	2		
35	00975150	Roller	2		
36	00551140	Tapping screw	3		

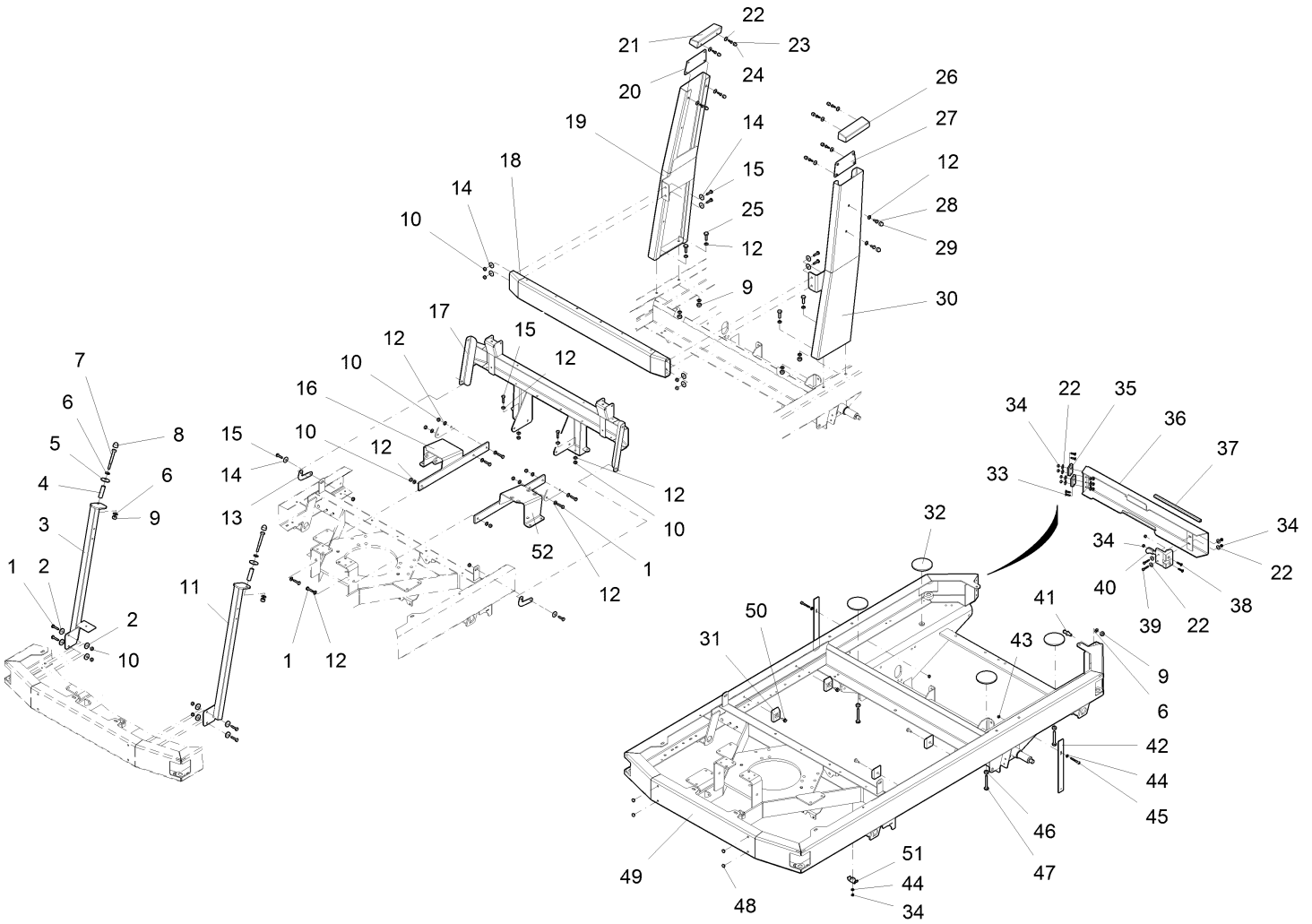
**Covering (R.H.) (97110787-2)**



**Covering (R.H.) (97110787-2)**

Item	Part number	Description	Qty.	Unit	Remarks
37	00975130	Step plate	1		
38	00980580	Floor mat	1		
41	00053020	Hexagon screw	1		
42	00980590	Bottom plate	1		
43	00740080	Washer	9		
44	00053090	Hexagon screw	9		
45	00053730	Washer	4		
46	00102290	Bolt	1		
47	00980010	Door left	1		
48	00980030	Door right	1		
49	00980800	Angle	1		
50	00980790	Plate	1		
51	00695730	Holder	1		
52	00023640	Cable clip	1		
53	01177820	Blind rivet	1		
54	00155070	Cylinder pin	4		
55	00905520	Screw	3		
56	00555520	Washer	3		
57	01078280	Bag	1		
58	00752350	Edge protection	0,220		

**Frame (97118129)**

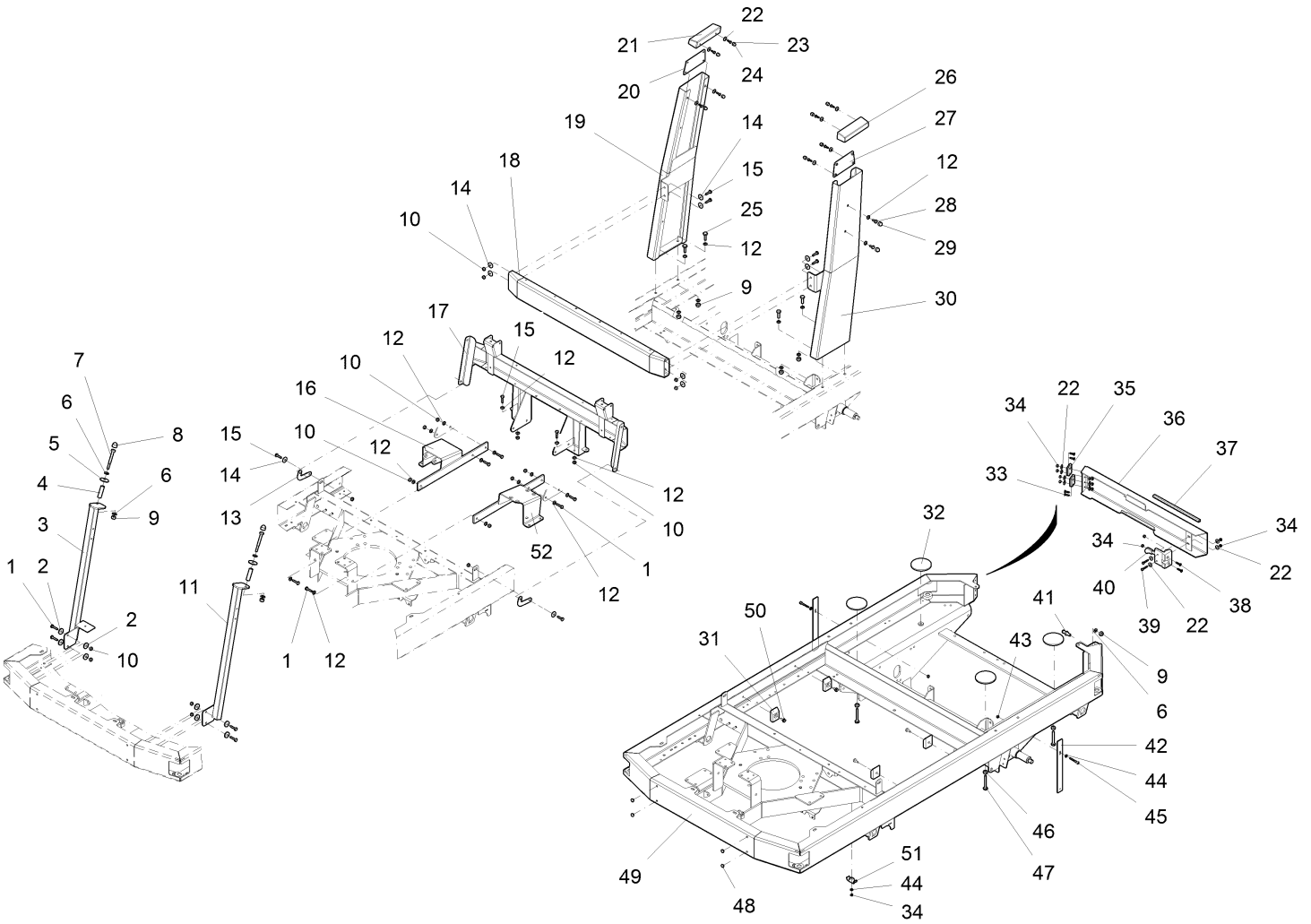




**Frame (97118129)**

Item	Part number	Description	Qty.	Unit	Remarks
1	00053110	Hexagon screw	10		
2	00047990	Disk wheel	4		
3	00035160	Support right	1		
4	00974240	Sleeve	2		
5	01177570	Washer	2		
6	00053760	Washer	5		
7	00157410	Hex.bolt	2		
8	00747210	Lens cap	2		
9	00051500	Hex. Nut	7		
10	00051510	Hex. Nut	24		
11	00035170	Support left	1		
12	00053750	Washer	26		
13	00974310	Bracket	2		
14	00042900	Washer	12		
15	00053100	Hexagon screw	10		
16	00980420	Prop right	1		
17	00035150	Carrier	1		
18	00035140	Carrier	1		
19	00035120	Spar frame R.H.	1		
20	01073230	Plate R.H., cpl	1		
21	00974280	Hood R.H.	1		
22	00135120	Washer	20		
23	00053010	Hex.bolt	8		
24	00525910	Lens cap	8		
25	00053160	Hexagon screw	4		
26	00974270	Hood L.H.	1		
27	01073240	Plate L.H., cpl.	1		
28	00053080	Hexagon screw	2		
29	00131610	Lens cap	2		
30	03009300	Spar frame L.H.	1		
31	00974300	Spacer piece	4		
32	00974220	Washer	4		
33	00021310	Countersunk screw	8		
34	00051520	Hex. Nut	19		
35	00522530	Hinge	2		
36	00035110	Cross beam rear	1		

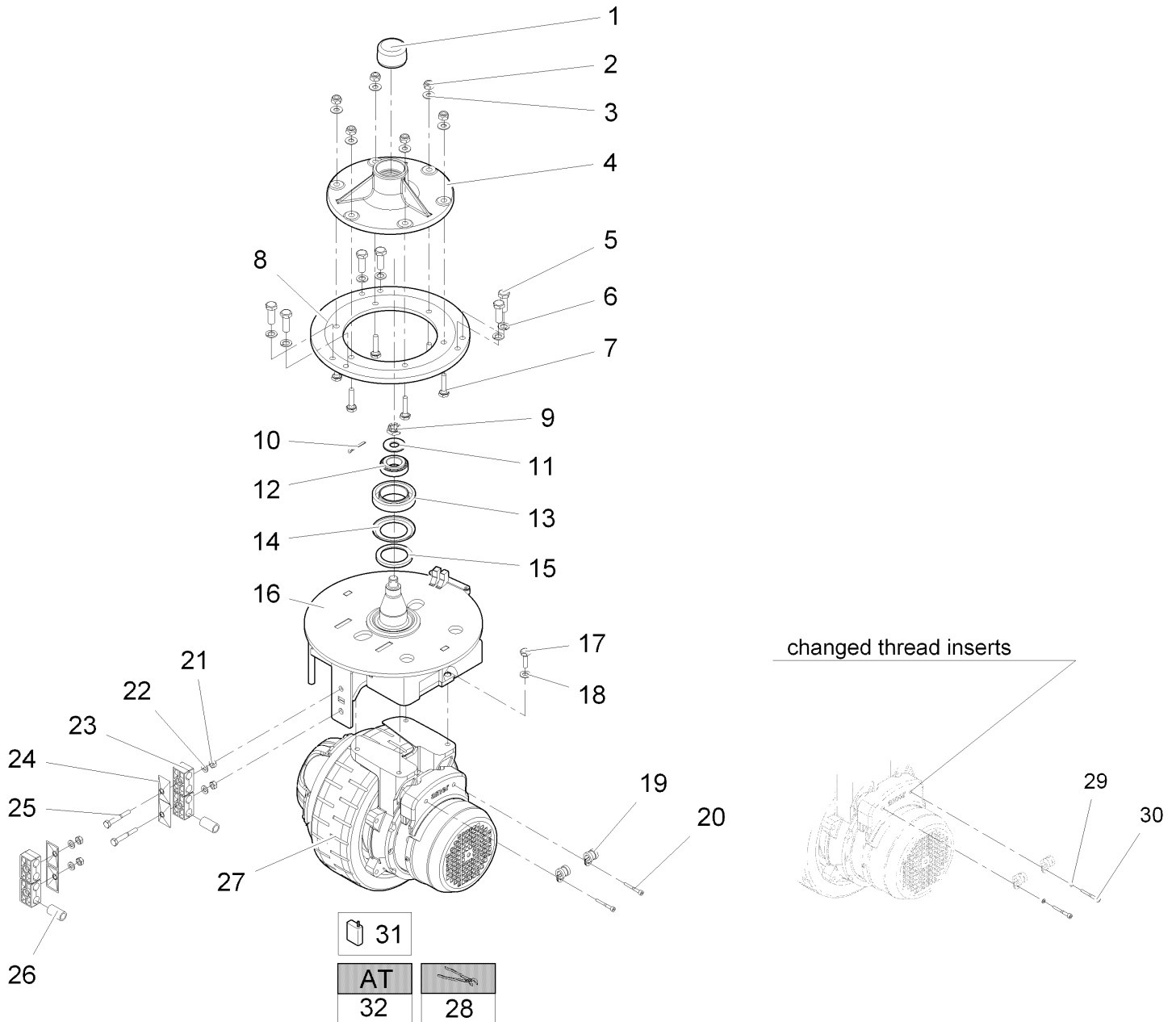
**Frame (97118129)**



**Frame (97118129)**

Item	Part number	Description	Qty.	Unit	Remarks
37	00161240	Edge protection	0,280		
38	01276610	Cab lock R.H.	1		
39	00551160	Countersunk screw	2		
40	00053040	Hex.bolt	2		
41	00877070	Bolt	1		
42	01070570	Rubber gasket	2		
43	00053330	Hex. Nut	2		
44	00053730	Washer	3		
45	01143070	Socket head screw	2		
46	00053360	Hex. Nut	4		
47	00051550	Hex.bolt	4		
48	00906060	Drain plug	4		
49	03011640	Chassis	1		
50	00109720	Screw	4		
51	01073420	Clamp	1		
52	00980440	Prop left	1		

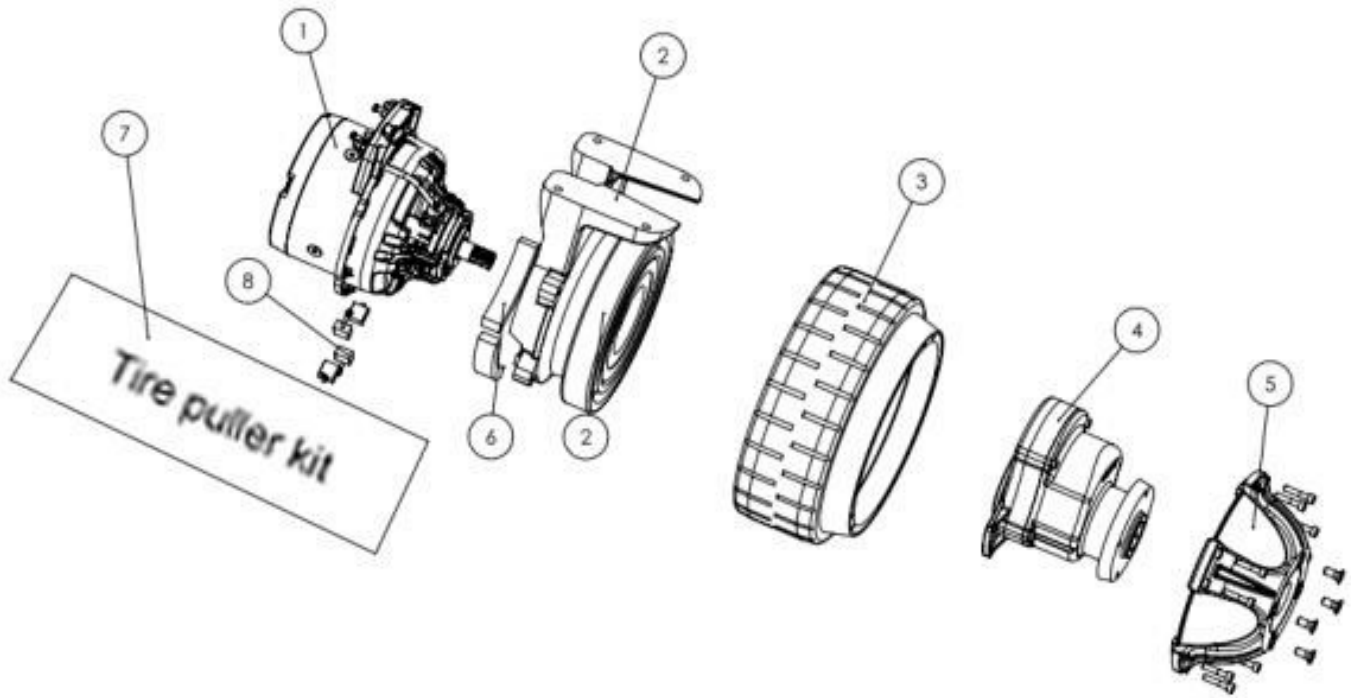
Front wheel drive (97110431)



Front wheel drive (97110431)

Item	Part number	Description	Qty.	Unit	Remarks
1	01054120	Plug	1		
2	00051500	Hex. Nut	6		
3	00740290	Detent edged washer	6		
4	01054110	Flange	1		
5	00155830	Hexagon screw	6		
6	00053430	Lock washer	6		
7	00053170	Hexagon screw	6		
8	---	Spare part on request	1		90569872 Flange plate
9	00740070	Slotted nut	1		
10	00139930	Cotter pin	1		
11	00851420	Washer	1		
12	01054100	Cone roller bearing	1		
13	01052100	Cone roller bearing	1		
14	01052110	Ring	1		
15	01052090	Washer	1		
16	03009280	Wheelmount	1		
17	00871420	Hex.bolt	4		
18	00870090	Detent edged washer	4		
19	00130250	Pipe clamp	2		
20	00023400	Cylinder head screw	2		
21	00051510	Hex. Nut	4		
22	00053750	Washer	4		
23	01160240	Pair of clamping	4		
24	01132150	Cover plate	4		
25	01073550	Hex.bolt	2		
26	01131790	Bushing	2		
27	<b>01178610</b>	<b>Wheel hub drive</b>	<b>Page</b>	<b>18</b>	
28	03502210	Mounting tool set	1		for drive motor
29	00053710	Washer	2		
30	01175760	Socket head screw	2		
31	00876670	Carbon brush	4		
32	00001380	Wheel hub drive 36V	1		Replacement part for 01178610

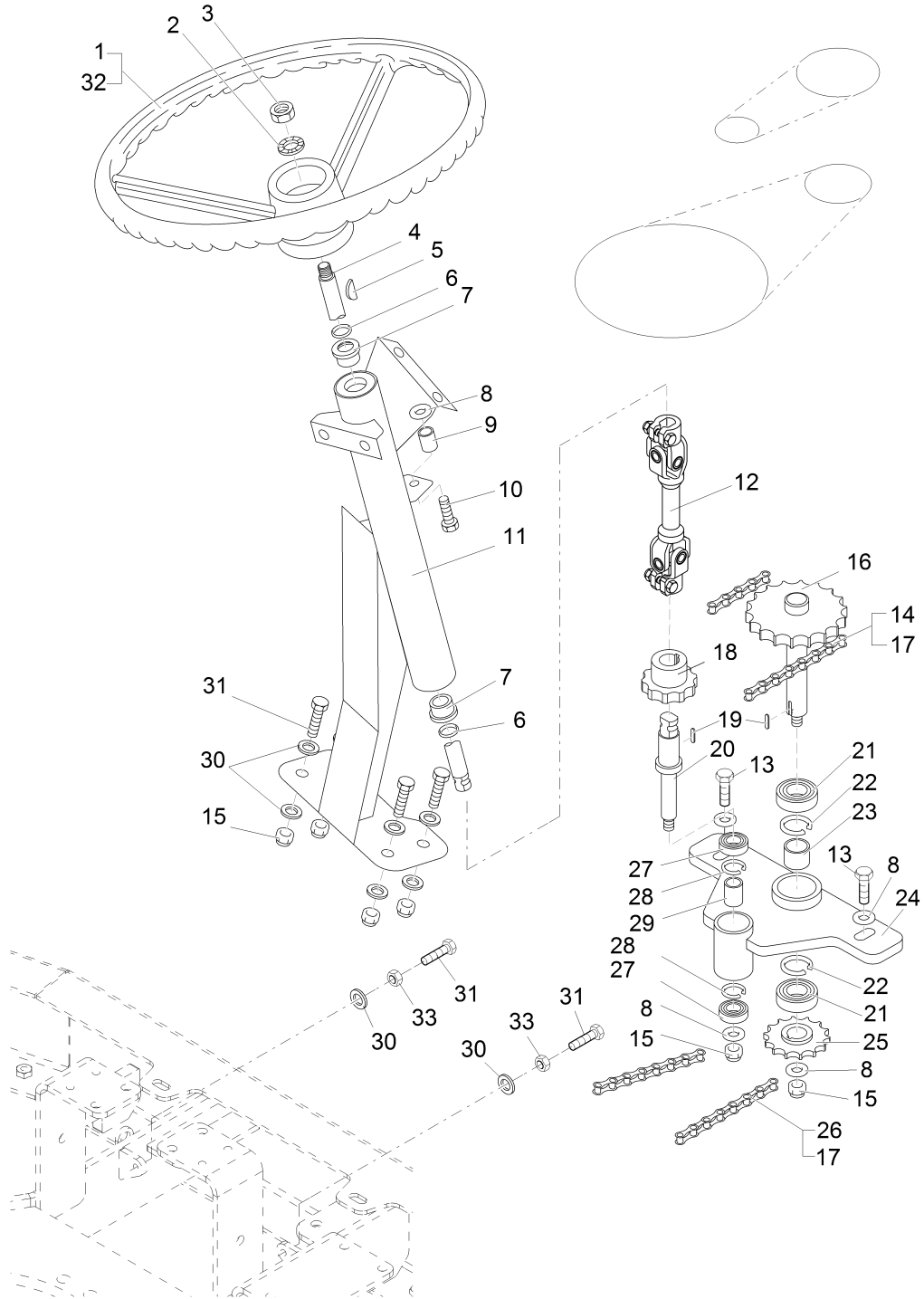
Wheel hub drive (01178610)



**Wheel hub drive (01178610)**

Item	Part number	Description	Qty.	Unit	Remarks
1	03502600	Motor	1		
2	03502530	Wheelmount	1		contents: Support and ball bearing
3	01113840	Wheel	1		
4	03502670	Gear	1		
5	03502350	Housing cover	1		
6	---	Spare part on request	1		Air filter
7	03502210	Mounting tool set	1		
8	00876670	Carbon brush	4		

**Steering (97042352)**

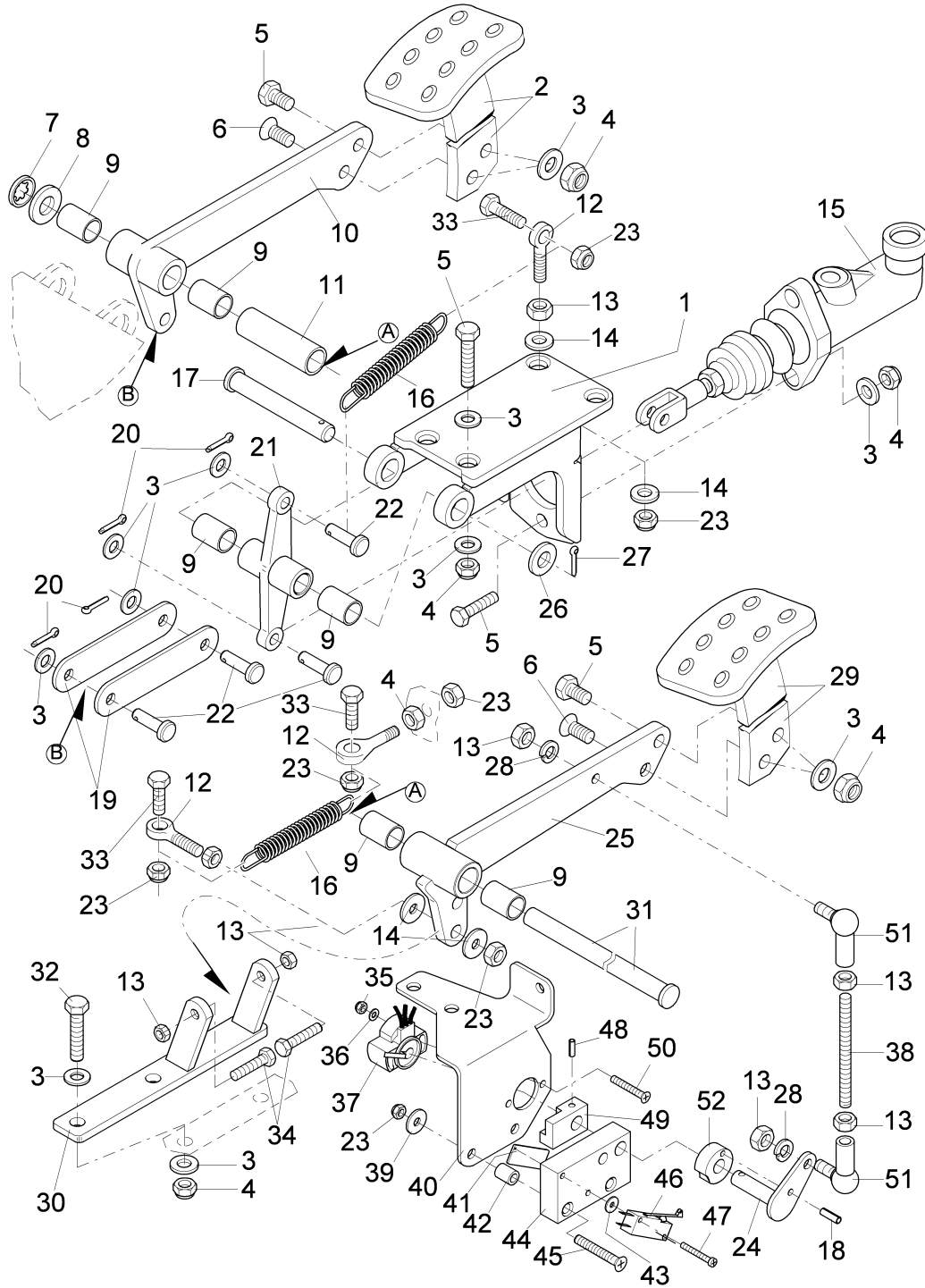




**Steering (97042352)**

Item	Part number	Description	Qty.	Unit	Remarks
1	00251100	Steering wheel	1		
2	00075290	Toothed washer	1		
3	00074350	Hex. Nut	1		
4	00980760	Shaft	1		
5	00153600	Woodruff key	1		
6	00554400	O-ring oil resistant	2		
7	00523630	Bushing	2		
8	00042900	Washer	5		
9	00974330	Sleeve	1		
10	00053260	Hex.bolt	1		
11	00980750	Pipe	1		
12	00492520	cardan shaft	1		
13	00053100	Hexagon screw	2		
14	00911360	Roller chain	1		
15	00051510	Hex. Nut	6		
16	00975420	Shaft	1		
17	00537280	Section	3		
18	00521170	Chain wheel	1		
19	00153010	Feather key	2		
20	00975440	Shaft	1		
21	00046250	Deep groove ball bearing	2		
22	00154440	Retaining ring	2		
23	00028840	Bushing	1		
24	00980720	Plate	1		
25	00975450	Chain wheel	1		
26	00911340	Roller chain	1		
27	00538360	Deep groove ball bearing	2		
28	00101660	Retaining ring	2		
29	01177590	Pipe	1		
30	00053750	Washer	12		
31	00053110	Hexagon screw	6		
32	01177600	Cap	1		
33	00053350	Hex. Nut	2		

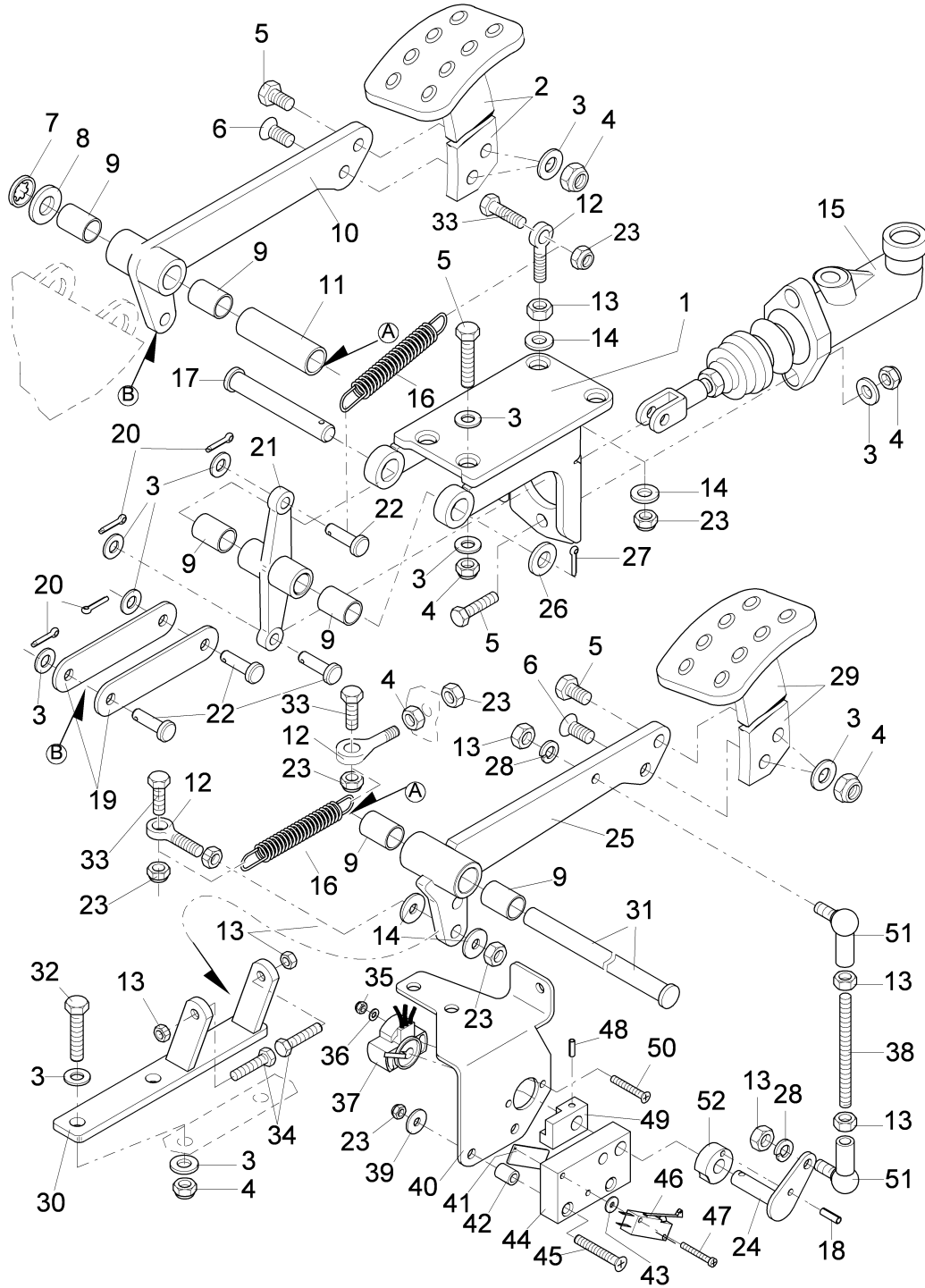
Service brake - Accelerator pedal (97118152-1) 2012-04-01 -->



**Service brake - Accelerator pedal (97118152-1) 2012-04-01 -->**

Item	Part number	Description	Qty.	Unit	Remarks
1	00270950	Retainer	1		
2	00270930	Pedal	1		
3	00053750	Washer	15		
4	00051510	Hex. Nut	11		
5	00053110	Hexagon screw	7		
6	01223150	Countersunk screw	2		
7	00538790	Thrust washer	1		
8	00134780	Washer	2		
9	00046560	DU-Drying socket	6		
10	00100480	Lever	2		
11	00974420	Pipe	1		
12	00101510	Eye bolt	3		
13	00053330	Hex. Nut	7		
14	00135120	Washer	6		
15	00821160	Brake cylinder	1		
16	00055620	Tension spring	2		
17	00100510	Bolt	1		
18	01091890	Dowel pin	1		
19	00974410	Mounting link	2		
20	00054860	Cotter pin	3		
21	00974390	Lever	1		
22	00706190	Clevis pin	3		
23	00051520	Hex. Nut	7		
24	00975490	Bolt	1		
25	00100480	Lever	2		
26	00134780	Washer	1		
27	00961520	Cotter pin	1		
28	00053400	Lock washer	2		
29	00974380	Pedal	1		
30	00974350	Plate	1		
31	00974430	Bolt	1		
32	00054690	Hexagon screw	2		
33	00053020	Hexagon screw	3		
34	00053040	Hex.bolt	2		
35	00133830	Hex. Nut	2		
36	00053710	Washer	2		

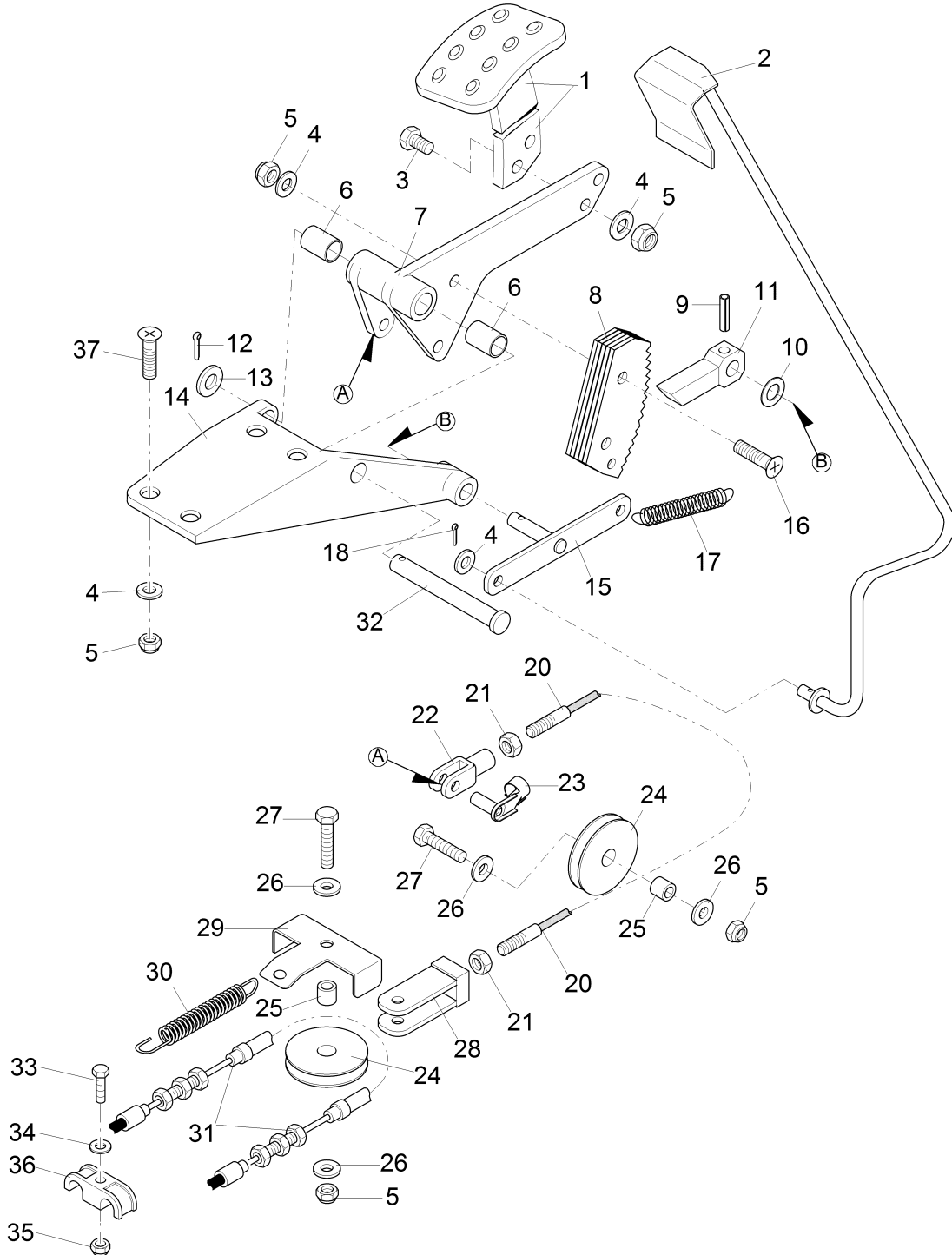
Service brake - Accelerator pedal (97118152-1) 2012-04-01 -->



**Service brake - Accelerator pedal (97118152-1) 2012-04-01 -->**

Item	Part number	Description	Qty.	Unit	Remarks
37	00975500	Turn angle transmitter	1		
38	00071110	Threaded rod	1		
39	00053730	Washer	1		
40	00975520	Angle	1		
41	01074840	Thread base plate	1		
42	00926770	Spacer sleeve	2		
43	00747400	Washer	2		
44	00975530	Plate	1		
45	00109500	Countersunk screw	2		
46	00975510	Micro switch	1		
47	00101580	Fillister-head screw	2		
48	00152840	Dowel pin	1		
49	00975550	Carrier	1		
51	00855580	Angle joint	2		
52	00975540	Washer	1		

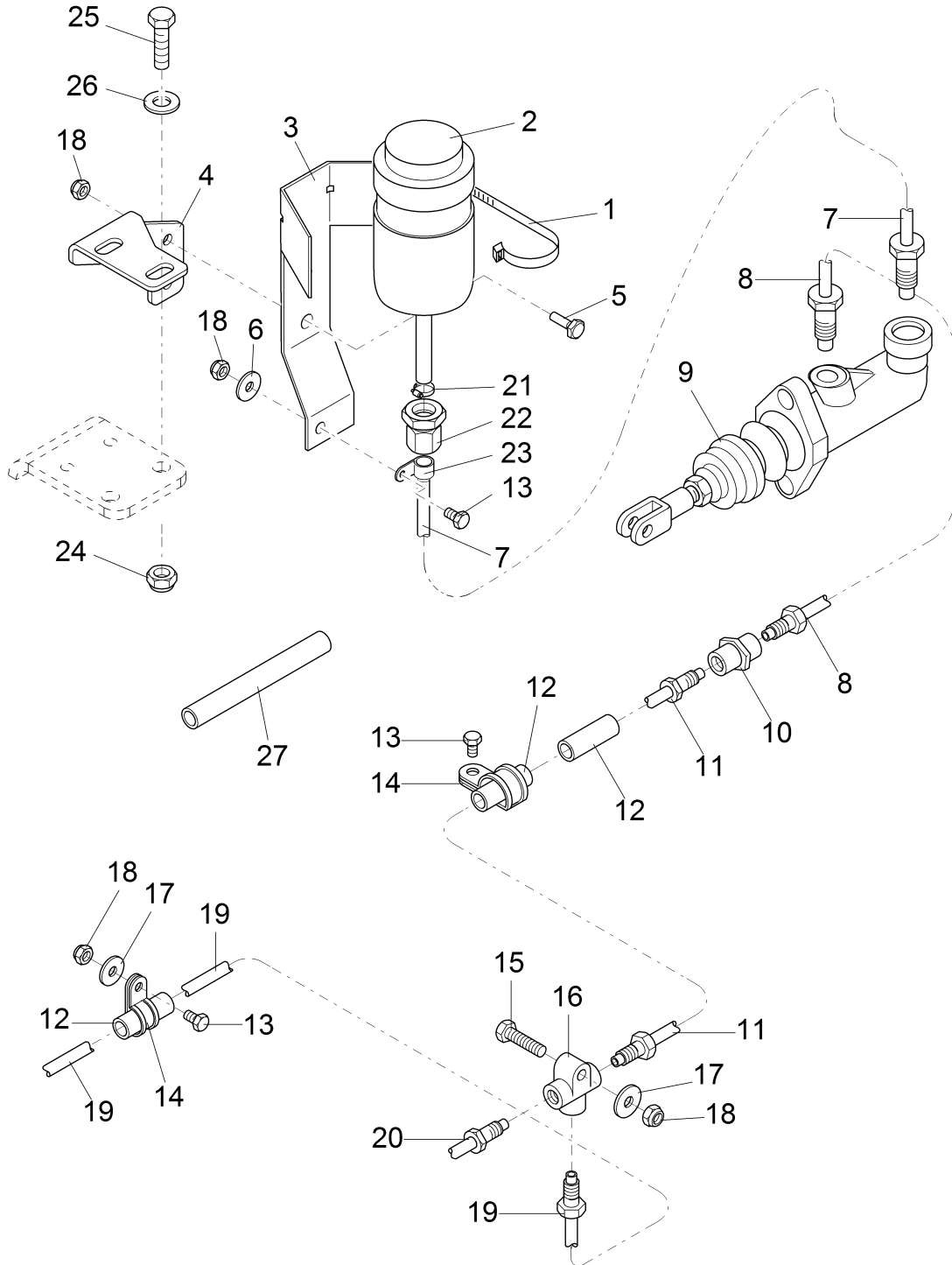
Parking brake (97118152-2) 2012-04-01 -->



Parking brake (97118152-2) 2012-04-01 -->

Item	Part number	Description	Qty.	Unit	Remarks
1	00270930	Pedal	2		
2	00980430	Rod	1		
3	00053110	Hexagon screw	2		
4	00053750	Washer	9		
5	00051510	Hex. Nut	10		
6	00046560	DU-Drying socket	2		
7	00270970	Lever	1		
8	00521210	Catch	1		
9	00057580	Dowel pin	1		
10	00046720	Adjusting washer	2		
11	00521300	Catch	1		
12	00961520	Cotter pin	1		
13	00134780	Washer	1		
14	00270980	retainer	1		
15	00974370	Bolt	1		
16	00509000	Countersunk screw	2		
17	00121330	Tension spring	1		
18	00054860	Cotter pin	1		
20	00974440	Rope	1		
21	00053350	Hex. Nut	2		
22	00027110	Fork yoke	1		
23	00706030	Bolt	1		
24	00521270	Roller	2		
25	00974400	Bushing	2		
26	00042900	Washer	6		
27	00054690	Hexagon screw	2		
28	00974340	Plate	1		
29	00974450	Angle	1		
30	00055620	Tension spring	1		
31	01273680	Brake cable	1		
32	00100560	Bolt	1		
33	00053040	Hex.bolt	1		
34	00053730	Washer	1		
35	00051520	Hex. Nut	1		
36	01073420	Clamp	1		
37	00101500	Countersunk screw	4		

Brake air conduit scheme (97118152-3) 2012-04-01 -->

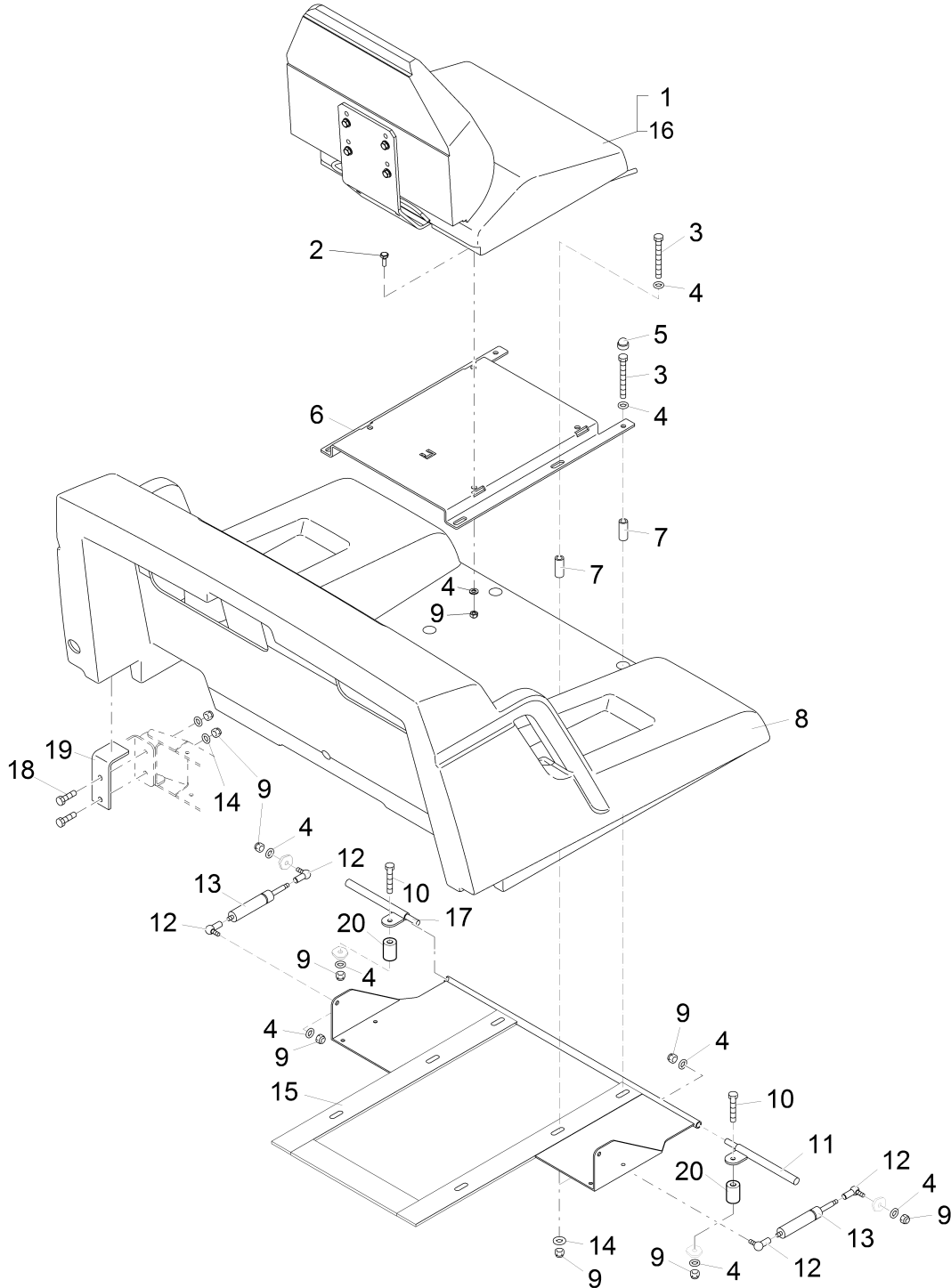




**Brake air conduit scheme (97118152-3) 2012-04-01 -->**

Item	Part number	Description	Qty.	Unit	Remarks
1	00967760	Cable tie	1		
2	01052880	Brake fluid tank	1		
3	---	Spare part on request	1		90361288 Angle plate
4	---	Spare part on request	1		90569625 Retainer
5	00053010	Hex.bolt	2		
6	00053730	Washer	2		
7	03011340	Brake lead	1		
8	00007850	Brake air conduit	1		
9	00821160	Brake cylinder	1		
10	00974470	Middle section	1		
11	01273700	Brake pipe	1		
12	00320500	Hose	0,040		
13	00053030	Hexagon screw	2		
14	00109470	Tube clamp	2		
15	00053290	Hexagon screw	1		
16	00862570	Distributor	1		
17	00135120	Washer	2		
18	00051520	Hex. Nut	5		
19	01273710	Brake pipe	1		
20	01273720	Brake pipe	1		
21	00529390	Hose clamp	1		
22	01052830	Reducing inset	1		
23	00100550	Clamp	1		
24	00051510	Hex. Nut	1		
25	00053100	Hexagon screw	1		
26	00053750	Washer	1		
27	00112010	Hose	0,100		

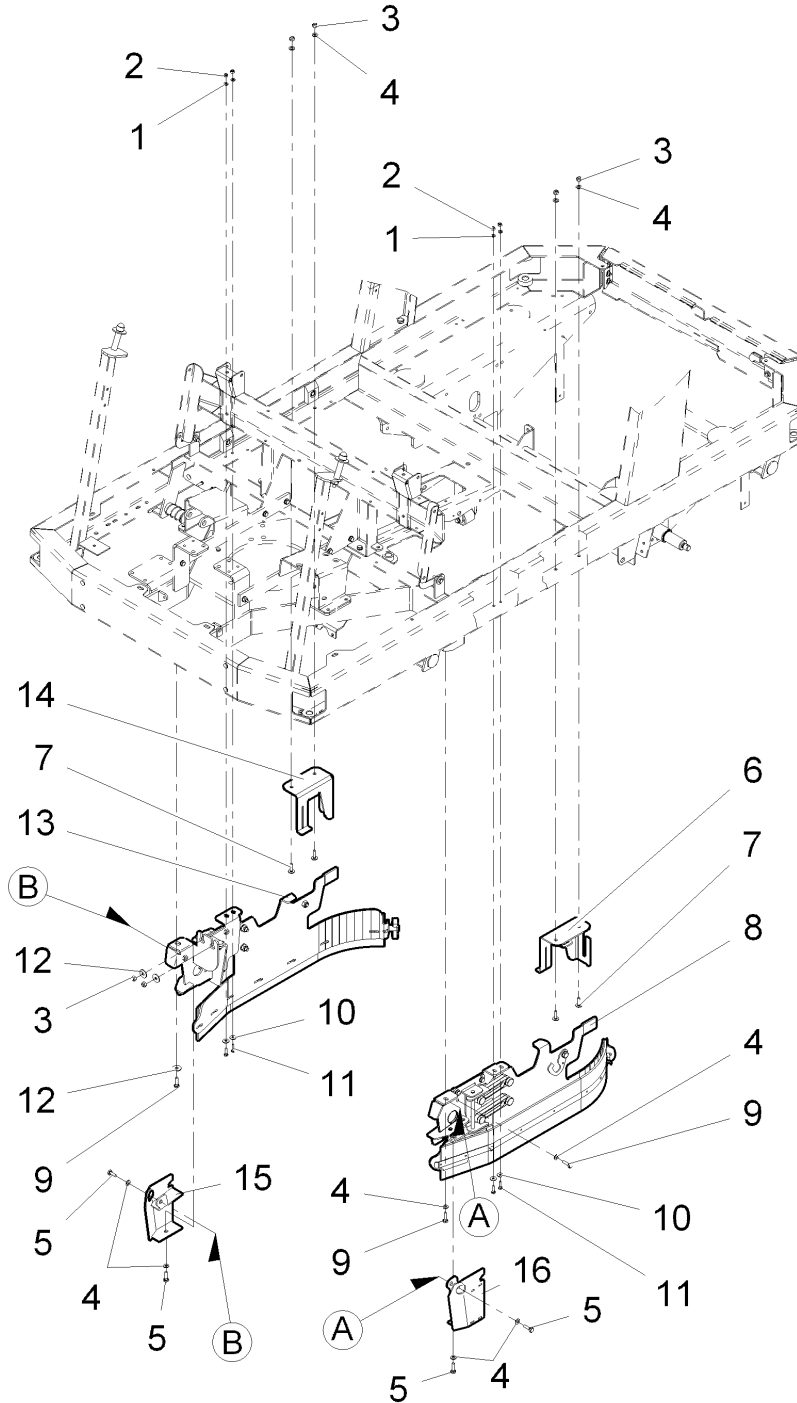
**Seat group (97126452)**



**Seat group (97126452)**

Item	Part number	Description	Qty.	Unit	Remarks
1	01071360	Seat	1		
2	00053090	Hexagon screw	4		
3	00557600	Hex.bolt	6		
4	00053750	Washer	14		
5	00131610	Lens cap	2		
6	01177580	Seat panel	1		
7	00975110	Bushing	6		
8	---	Spare part on request	1		90645953 Seat console
9	00051510	Hex. Nut	20		
10	00054690	Hexagon screw	2		
11	00975190	Bolt L.H. (R.H. in travel direction!)	1		
12	00527690	Angle joint	4		
13	00975200	Gas spring	2		
14	00042900	Washer	8		
15	00037010	Seat console	1		
16	01073290	Micro switch	1		
17	00975180	Bolt R.H. (L.H. in travel direction!)	1		
18	00053110	Hexagon screw	4		
19	01177840	Angle	2		
20	01177830	Bushing	2		

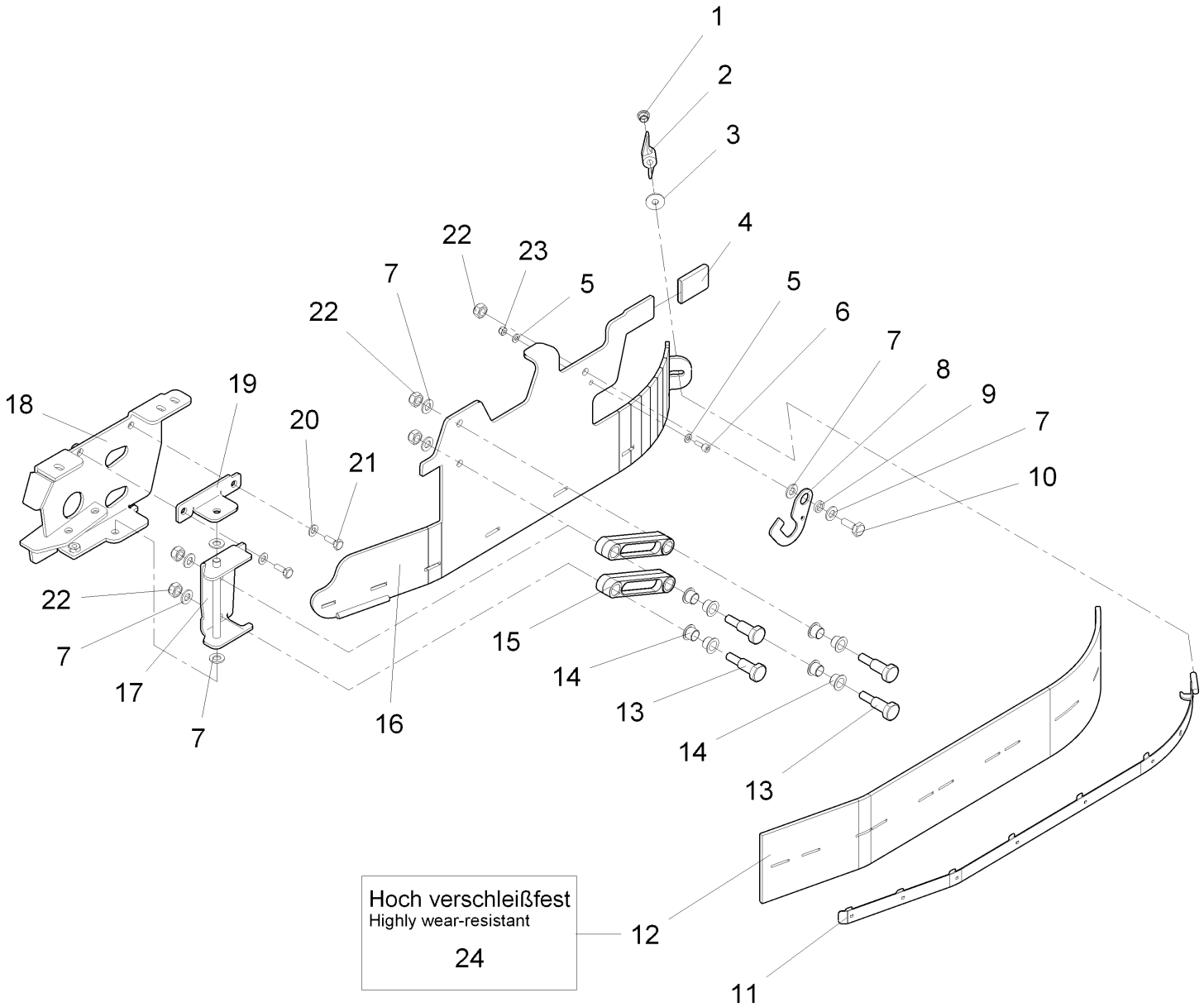
Wiper cpl. (97110126)



**Wiper cpl. (97110126)**

Item	Part number	Description	Qty.	Unit	Remarks
1	00051520	Hex. Nut	4		
2	00053730	Washer	4		
3	00051510	Hex. Nut	6		
4	00053750	Washer	10		
5	00053090	Hexagon screw	4		
6	01178900	Retainer L.H.	1		
7	01092910	Lens flange screw	4		
8	<b>97110050</b>	<b>Wiper, LH</b>	<b>Page</b>	<b>34</b>	
9	00053100	Hexagon screw	3		
10	00135120	Washer	4		
11	00053020	Hexagon screw	4		
12	00042900	Washer	3		
13	<b>97110118</b>	<b>Wiper, RH</b>	<b>Page</b>	<b>36</b>	
14	01178910	Retainer R.H.	1		
15	01276250	Screen R.H.	1		
16	01276160	Screen L.H.	1		

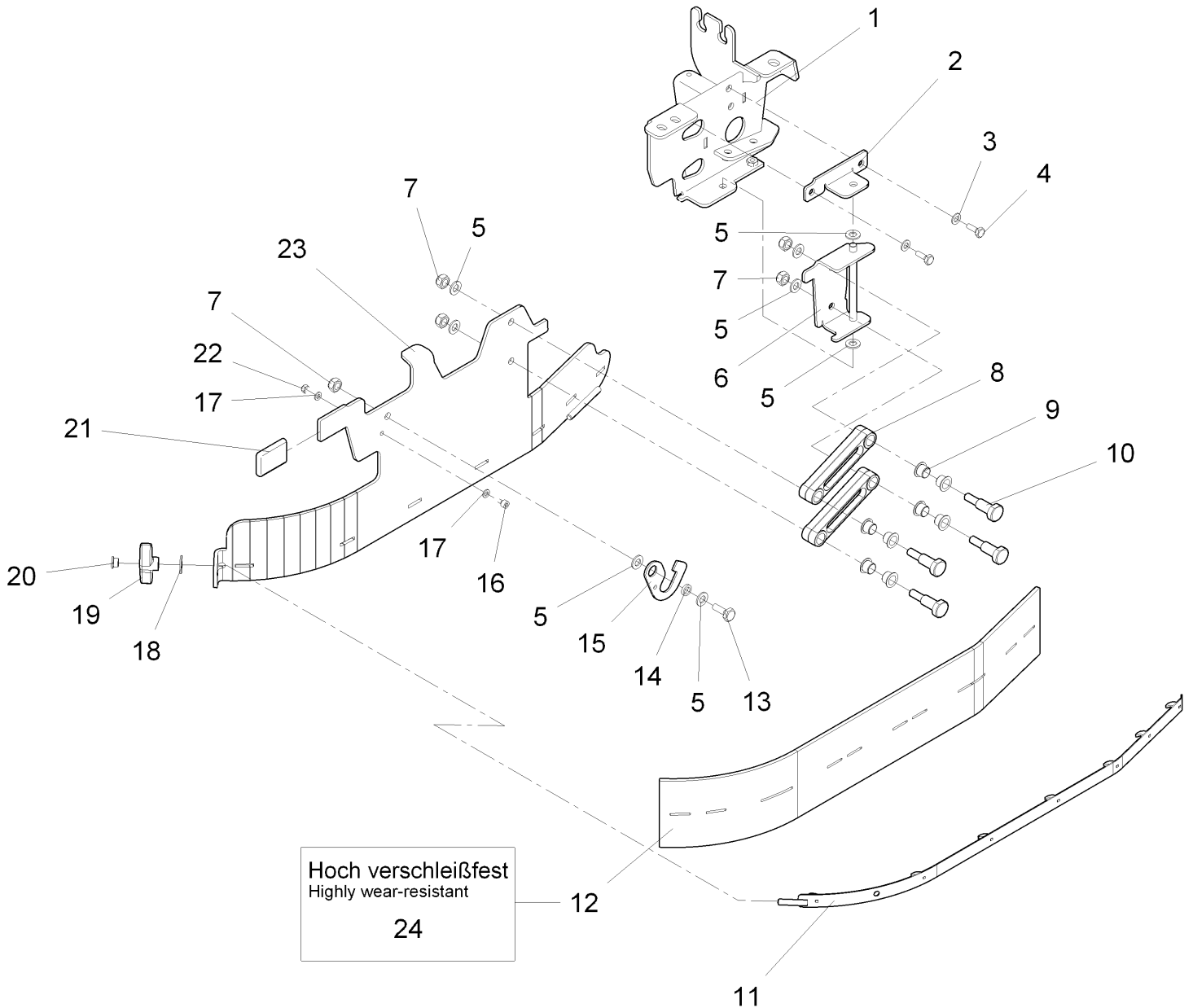
Wiper, LH (97110050)



**Wiper, LH (97110050)**

Item	Part number	Description	Qty.	Unit	Remarks
1	00902300	Drain plug	1		
2	00101470	Wing nut	1		
3	00042900	Washer	1		
4	01074240	Cap	1		
5	00053730	Washer	2		
6	00136910	Cylinder head screw	1		
7	00053760	Washer	8		
8	01271200	Locking hook	1		
9	01074210	Bushing	1		
10	00053310	Hexagon screw	1		
11	01074260	Tightening strap	1		
12	01074250	Rubber strap	1		
13	01073910	fitting screw	4		
14	01073860	slide bearing bush	8		
15	01073870	lever	2		
16	01178920	Squeegee L.H.	1		
17	01178930	Swivel arm L.H.	1		
18	01178940	Retainer L.H.	1		
19	01178950	Angle L.H.	1		
20	00053750	Washer	2		
21	00053090	Hexagon screw	2		
22	00051500	Hex. Nut	5		
23	00051520	Hex. Nut	1		
24	01077040	Squeegee strip	1		

Wiper, RH (97110118)



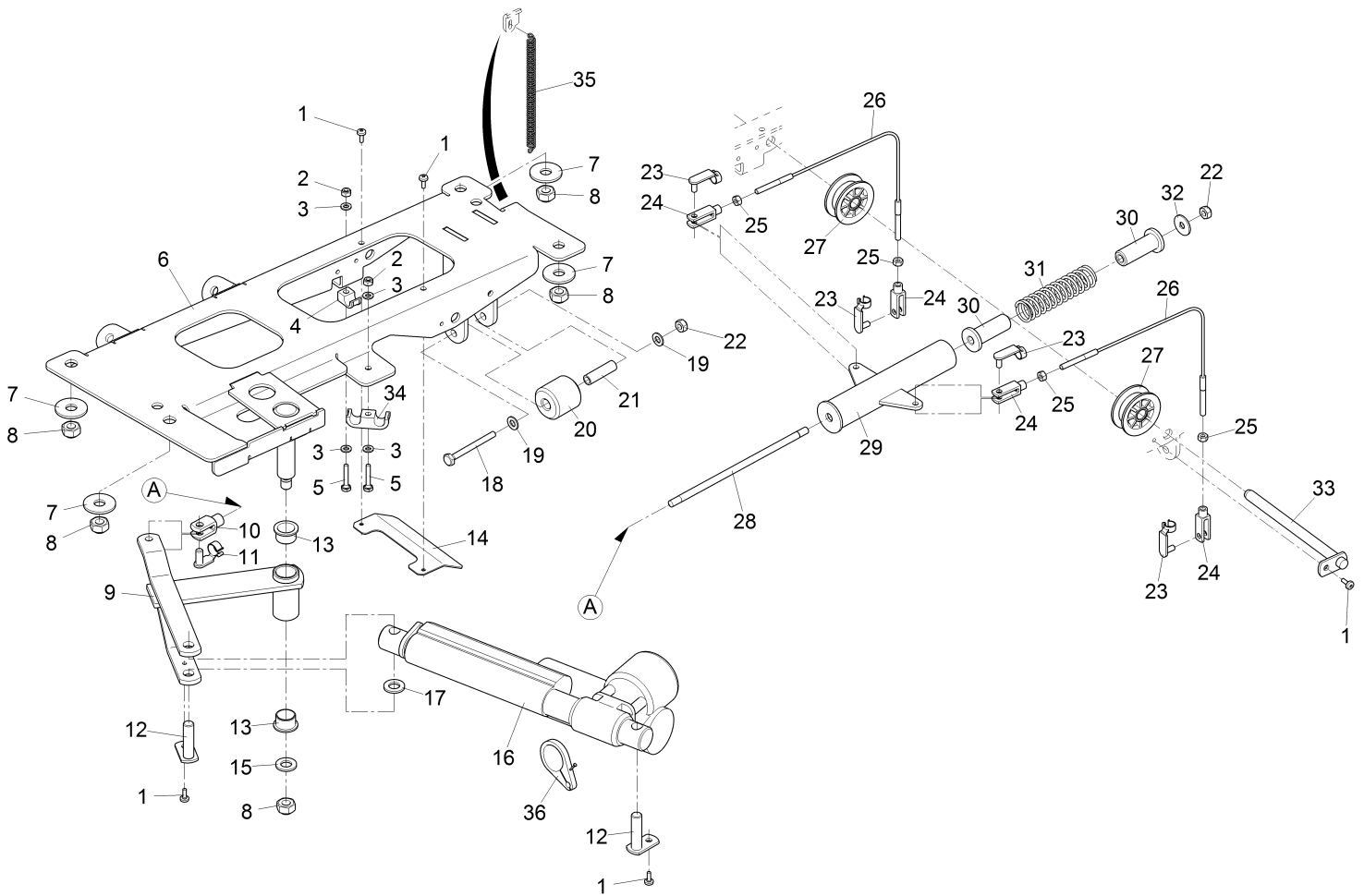
Hoch verschleißfest  
Highly wear-resistant  
24



**Wiper, RH (97110118)**

Item	Part number	Description	Qty.	Unit	Remarks
1	01178960	Retainer R.H.	1		
2	01178970	Angle R.H.	1		
3	00053750	Washer	2		
4	00053090	Hexagon screw	2		
5	00053760	Washer	8		
6	01178980	Swivel arm R.H.	1		
7	00051500	Hex. Nut	5		
8	01073870	lever	2		
9	01073860	slide bearing bush	8		
10	01073910	fitting screw	4		
11	01074260	Tightening strap	1		
12	01074250	Rubber strap	1		
13	00053310	Hexagon screw	1		
14	01074210	Bushing	1		
15	01271200	Locking hook	1		
16	00136910	Cylinder head screw	1		
17	00053730	Washer	2		
18	00042900	Washer	1		
19	00101470	Wing nut	1		
20	00902300	Drain plug	1		
21	01074240	Cap	1		
22	00051520	Hex. Nut	1		
23	01178990	Squeegee R.H.	1		
24	01077040	Squeegee strip	1		

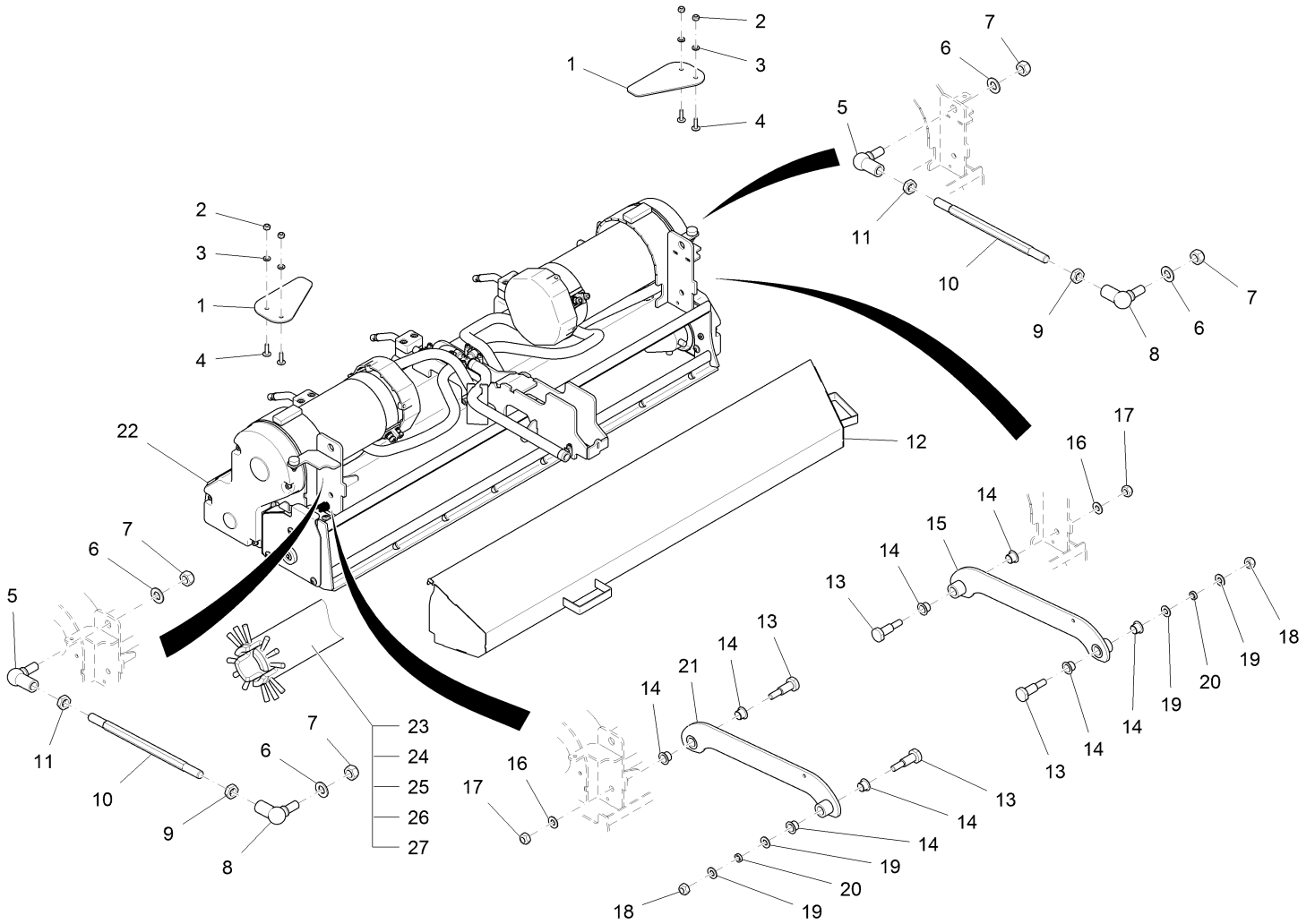
Brush lifting (97115570) 2012-04-01 -->



**Brush lifting (97115570) 2012-04-01 -->**

Item	Part number	Description	Qty.	Unit	Remarks
1	00959220	Screw	5		
2	00051520	Hex. Nut	2		
3	00053730	Washer	4		
4	00903270	Clamp	1		
5	00053040	Hex.bolt	2		
6	03013860	Cross beam	1		
7	00132610	Washer	4		
8	00051490	Hex. Nut	5		
9	---	Spare part on request	1		96134051 Angle
10	00151440	Fork yoke	1		
11	00151400	Bolt	1		
12	00975230	Bolt	2		
13	01273610	Slide bearing bush	2		
14	00057990	Angle plate	1		
15	00151200	Washer	1		
16	00650110	Lifting spindle	1		
17	00053770	Washer	1		
18	00557600	Hex.bolt	1		
19	00053750	Washer	2		
20	00974260	Roller	1		
21	00974250	Spacer piece	1		
22	00051510	Hex. Nut	2		
23	00851590	Bolt	4		
24	00851570	Fork yoke	4		
25	00053330	Hex. Nut	4		
26	01178540	Pull rope	2		
27	00972140	Roller	2		
28	00975460	Threaded rod	1		
29	00980730	Pipe	1		
30	00975470	Bushing	2		
31	01178640	Cyl. compression spring	1		
32	00042900	Washer	1		
33	00975220	Bolt	1		
34	01073420	Clamp	1		
35	01178650	Tension spring	1		
36	00962620	Clamp	1		

**Cylindrical brush drive aggregate (97110654)**



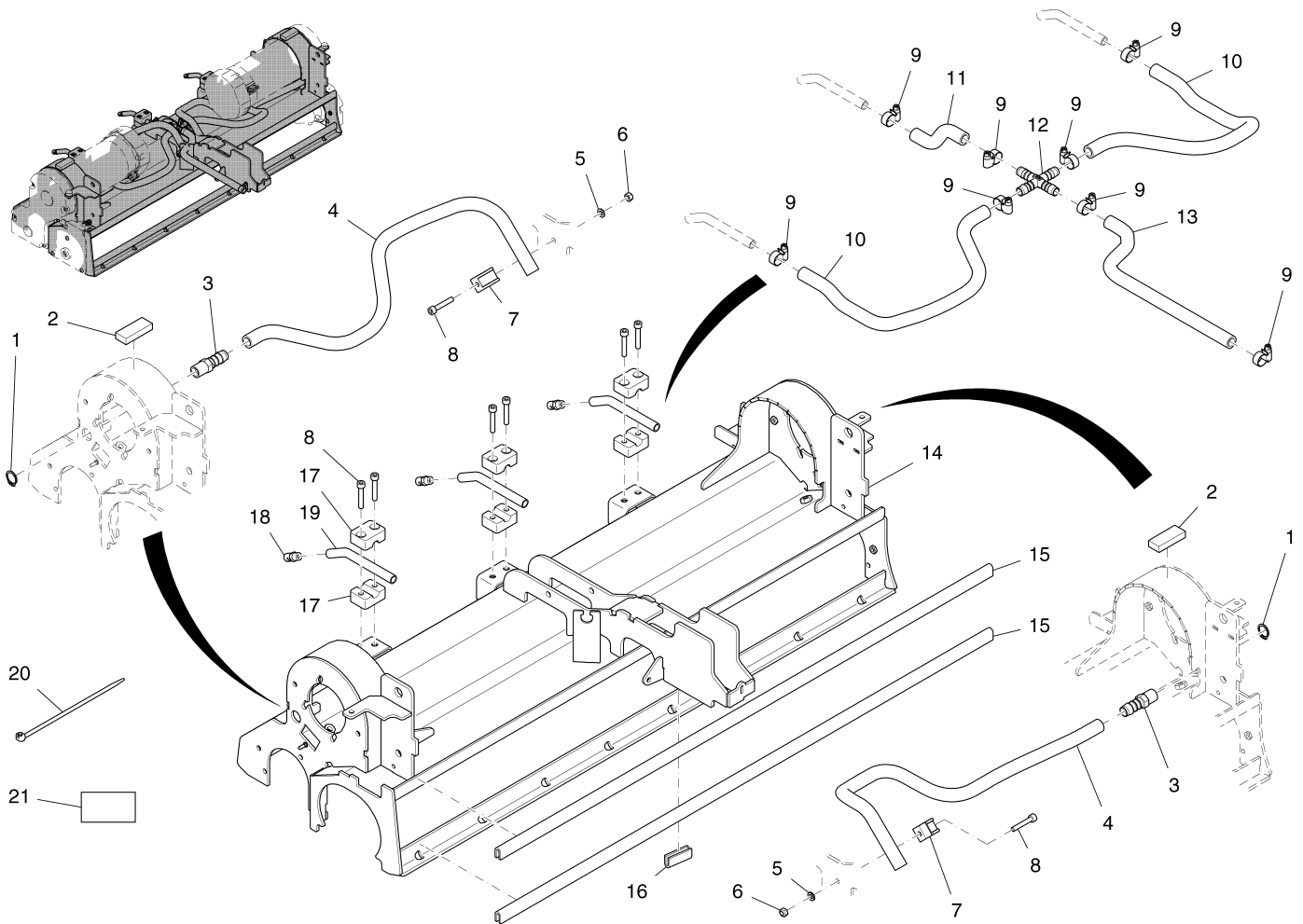
**Cylindrical brush drive aggregate (97110654)**

Item	Part number	Description	Qty.	Unit	Remarks
1	01274660	Sheet metal	2		
2	00051520	Hex. Nut	4		
3	00053730	Washer	4		
4	01174700	Lens flange screw	4		
5	00101440	Hinged joint	2		
6	00053780	Washer	4		
7	00044420	Hex. Nut	4		
8	00522370	Hinged joint	2		
9	00053740	Hex. Nut	2		
10	01276150	Threaded rod	2		
11	00101480	Hex. Nut	2		
12	01172860	Dirt container	1		
13	01073910	fitting screw	4		
14	01073860	slide bearing bush	8		
15	01177270	Truss R.H.	1		
16	01140500	Washer	2		
17	01019660	Hex. Nut	2		
18	00051500	Hex. Nut	2		
19	00053760	Washer	4		
20	01178670	Bushing	2		
21	01272080	Truss L.H.	1		
22	<b>97109060</b>	<b>Cylindrical brush drive head</b>	<b>Page</b>	<b>42</b>	
23	99788700	Cylindrical brush set 135PA 6-0,7	1		Degree of soiling light to medium
24	99784600	Cylindrical brush set 135 SICPA 6.12K500	1		Degree of soiling medium to heavy
25	99789000	Cylindrical brush set 135 SICPA 6.12K180	1		Degree of soiling heavy and very heavy
26	99784800	Cylindrical brush set 135 SICPA 6.12K80	1		Very heavy soiling and basic cleaning
27	99784700	Cylindrical brush set 135 SICPA 6.12K46	1		Extremely heavy soiling and basic cleaning

**Cylindrical brush drive head (97109060)**

<b>Assembly</b>	<b>Description</b>	<b>Page</b>
97109060-01	Cylindrical brush drive head base	43
97109060-02	Cylindrical brush drive, L.H.	45
97109060-03	Cylindrical brush drive, R.H.	53

Cylindrical brush drive head base (97109060-01)

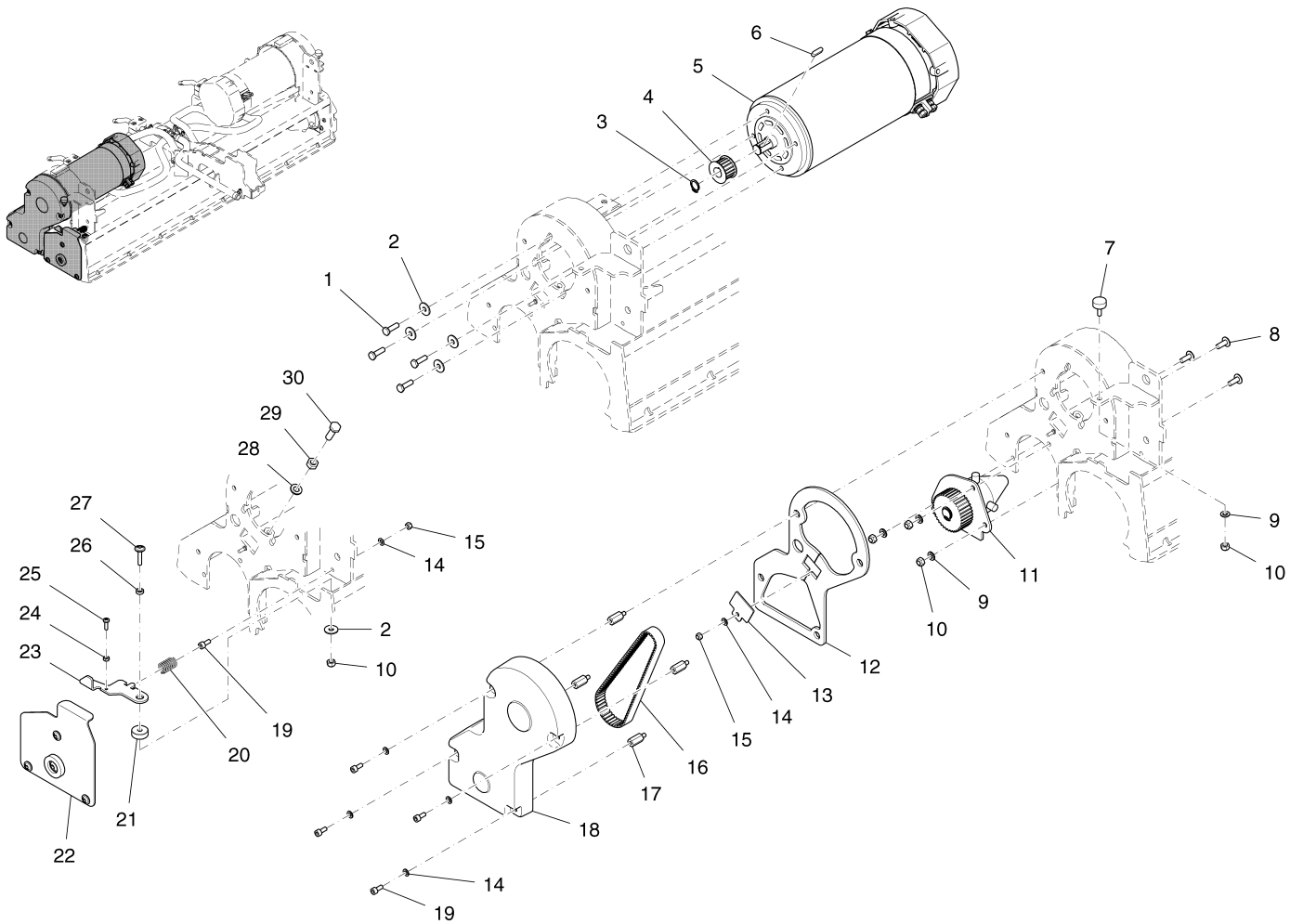


**Cylindrical brush drive head base (97109060-01)**

Item	Part number	Description	Qty.	Unit	Remarks
1	00022230	Retaining ring	2		
2	00430880	Foam rubber, grey	0,100		
3	00861740	Screwed plug	2		
4	00171030	Hose	2,400		
5	00102150	Washer	2		
6	00102140	Hex. Nut	2		
7	00748290	Clamp	2		
8	---	Spare part on request	8		11126810 Socket head screw
9	01015350	Hose clamp	8		
10	00112010	Hose	0,450		
11	00112010	Hose	0,130		
12	01056360	Cross connector	1		
13	00112010	Hose	0,400		
14	03009640	Roll brush head	1		
15	00161240	Edge protection	0,940		
16	00161240	Edge protection	0,040		
17	01222080	Pair of clamping	3		
18	01072640	Jet	3		
19	01072630	Pipe	3		
20	00967760	Cable tie	1		
21	03007630	Sealing band	1		



**Cylindrical brush drive, L.H.  
(97109060-02)**



**Cylindrical brush drive, L.H.  
(97109060-02)**

Item	Part number	Description	Qty.	Unit	Remarks
1	00854190	Hexagon screw	4		
2	00854210	Washer	5		
3	00022440	Retaining ring	1		
4	01178530	Toothed belt pulley	1		
5	01178560	Motor Scott	1		
6	00022430	Feather key	1		
7	00127470	Buffer	1		
8	01017640	Lens flange screw	3		
9	00102150	Washer	4		
10	00102140	Hex. Nut	5		
11	<b>01274770</b>	<b>Driver</b>	<b>Page</b>	<b>47</b>	
12	01172260	Gasket	1		
13	01172270	Cover	1		
14	00902270	Washer	6		
15	01017660	Hex. Nut	2		
16	01178820	Flat belt	1		
17	01178630	Spacer screw	4		
18	01172440	Belt covering	1		
19	01178830	Socket head screw	5		
20	00550870	Cyl.compression spring	1		
21	01178580	Bushing	1		
22	<b>01275490</b>	<b>Side cover</b>	<b>Page</b>	<b>49</b>	
23	01178570	Lever	1		
24	01072510	Hex. Nut	1		
25	01072260	Fillister-head screw	1		
26	01073360	Bushing	1		
27	01082530	Lens flange screw	1		
28	00101550	Washer	1		
29	00971400	Hex. Nut	1		
30	01059530	Hexagon screw	1		

## Table of Contents

Retaining ring (00022340) .....  
Toothed belt pulley (01178520) .....  
Circlip (01078820) .....  
Grooved ball bearing (01076560) .....  
Bushing (01077520).....  
Bearing seat (01178550) .....  
Ring (00124220) .....  
Straight pin (01178660) .....  
Driver (01178480) .....  
Feather key (01072580) .....

This manual covers all standard models:

**Model No.**

The machine will provide excellent service. However, the best results will be obtained if:

- The machine is operated with reasonable care.
- The machine is maintained regularly per the maintenance schedule in the instruction manual provided.
- The machine is maintained with PowerBoss OEM supplied or equivalent parts.

All right side and left side references to the machine are determined by facing the direction of forward travel. Parts may be ordered by phone or mail from any PowerBoss parts and service center. Before ordering parts or supplies be sure to have your machine model number and serial number handy.

Fill out the data block below for future reference.

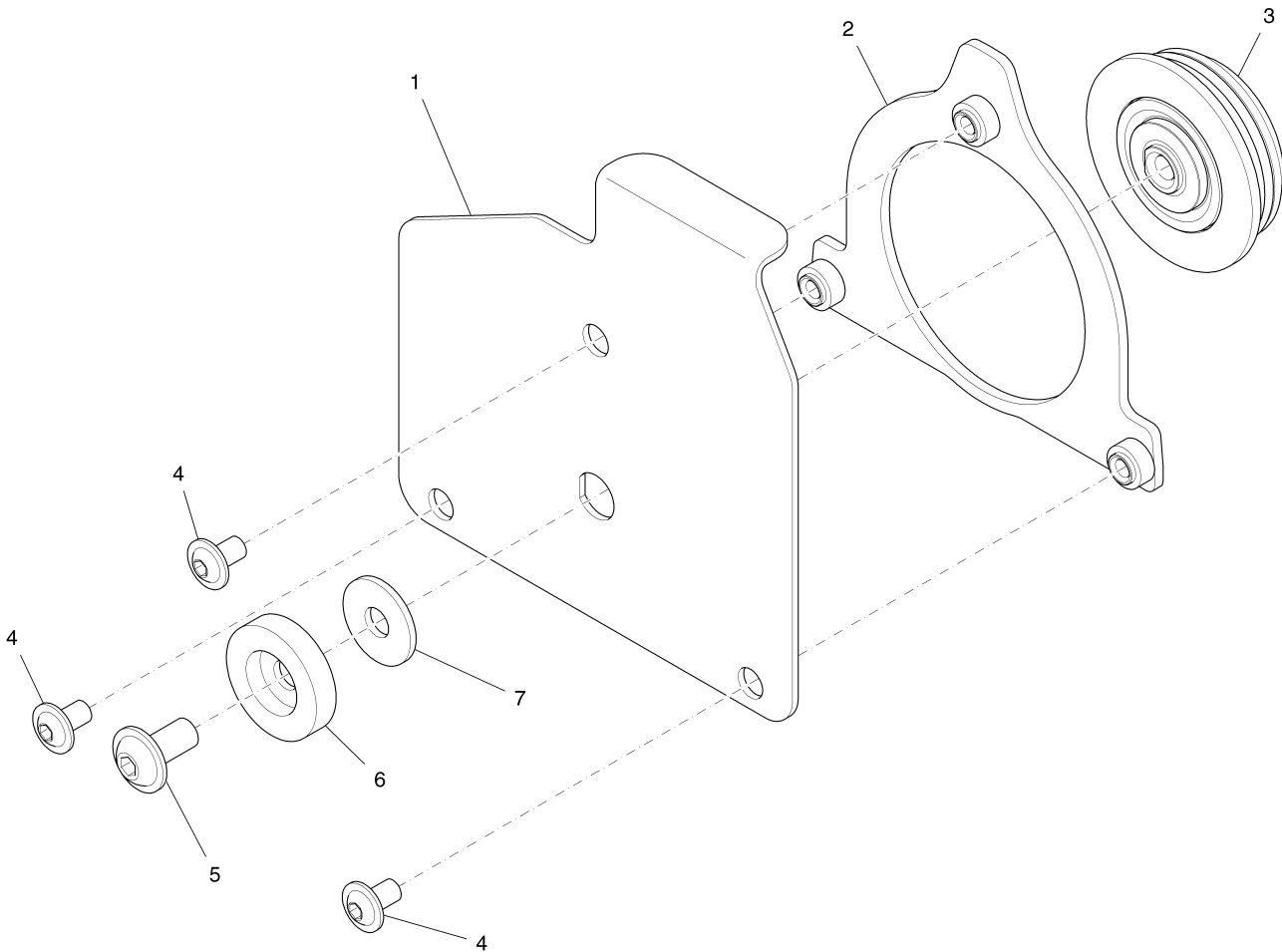
MACHINE DATA Fill Out At Installation	
Model:	
Serial Number:	_____
Sales Rep or Dealer:	_____
Date of Install:	_____
Manual p/n:	4100059

All information contained in this manual is current at the time of printing However, PowerBoss Reserves the right to make changes at any time without notice.

© 2018, Powerboss, Inc., Printed in USA

All rights reserved. This manual may not be copied or reproduced in any form, without the written permission of PowerBoss, Inc.

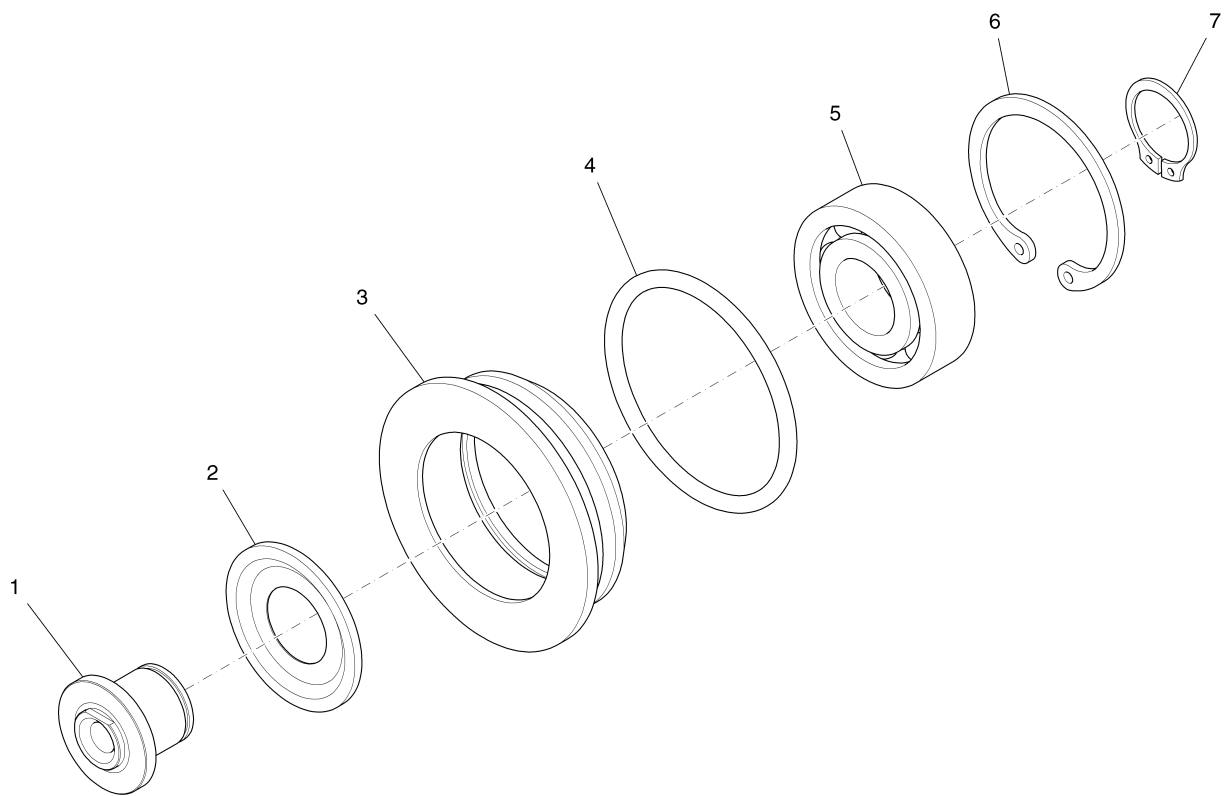
Side cover (01275490)



**Side cover (01275490)**

Item	Part number	Description	Qty.	Unit	Remarks
1	01172240	Side cover	1		
2	01172250	Centering bend	1		
3	<b>97110100</b>	<b>Counter Bearing</b>	<b>Page</b>	<b>51</b>	
4	01072520	Lens flange screw	3		
5	01074320	Lens flange screw	1		
6	01074330	Washer	1		
7	00902280	Washer	1		

**Counter Bearing (97110100)**

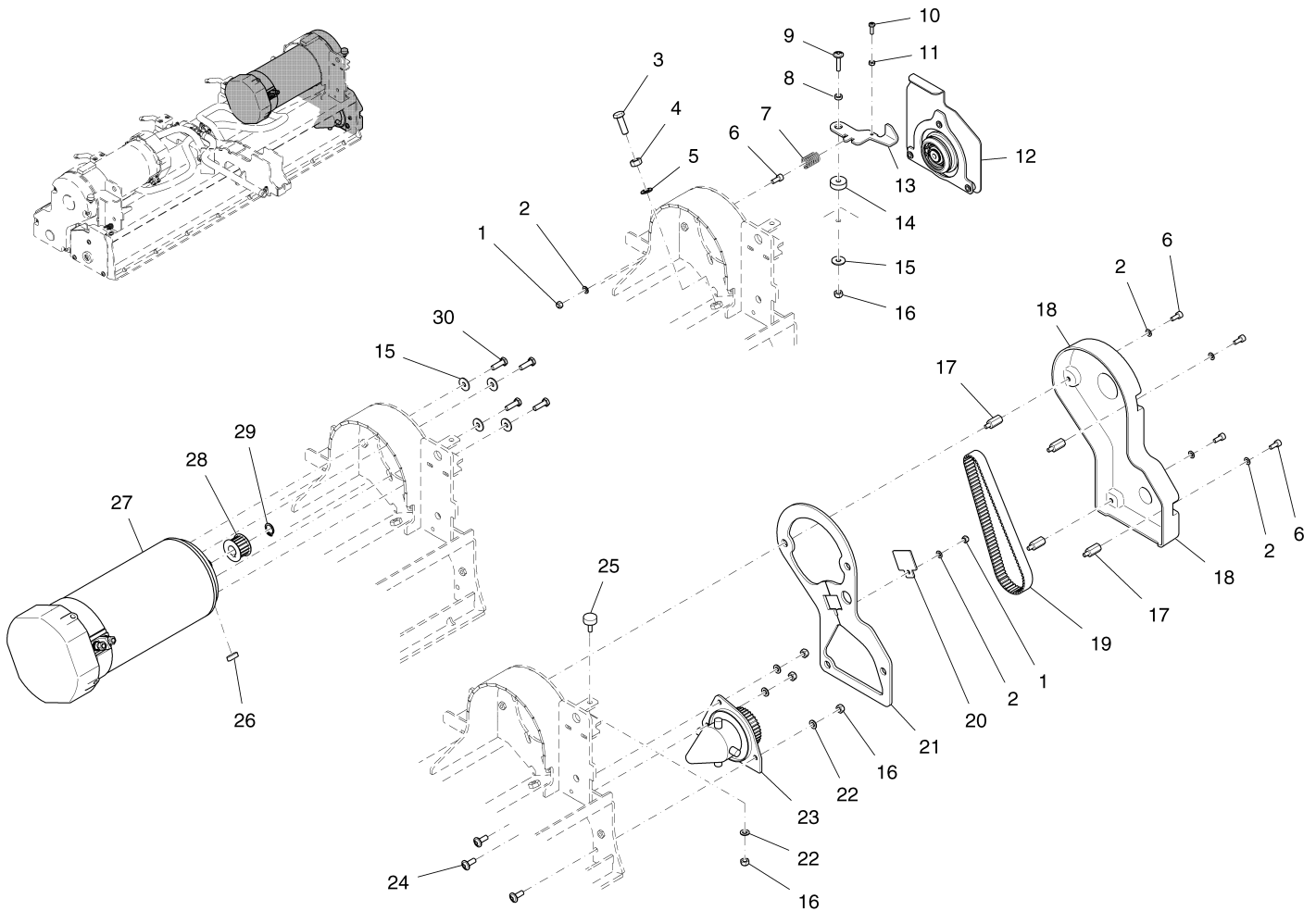


**Counter Bearing (97110100)**

Item	Part number	Description	Qty.	Unit	Remarks
1	01178500	Bearing pin	1		
2	01071860	Ring	1		
3	01178590	Counter bearing	1		
4	01178840	O-Ring	1		
5	00705410	Deep groove ball bearing	1		
6	00133100	Retaining ring	1		
7	00022230	Retaining ring	1		



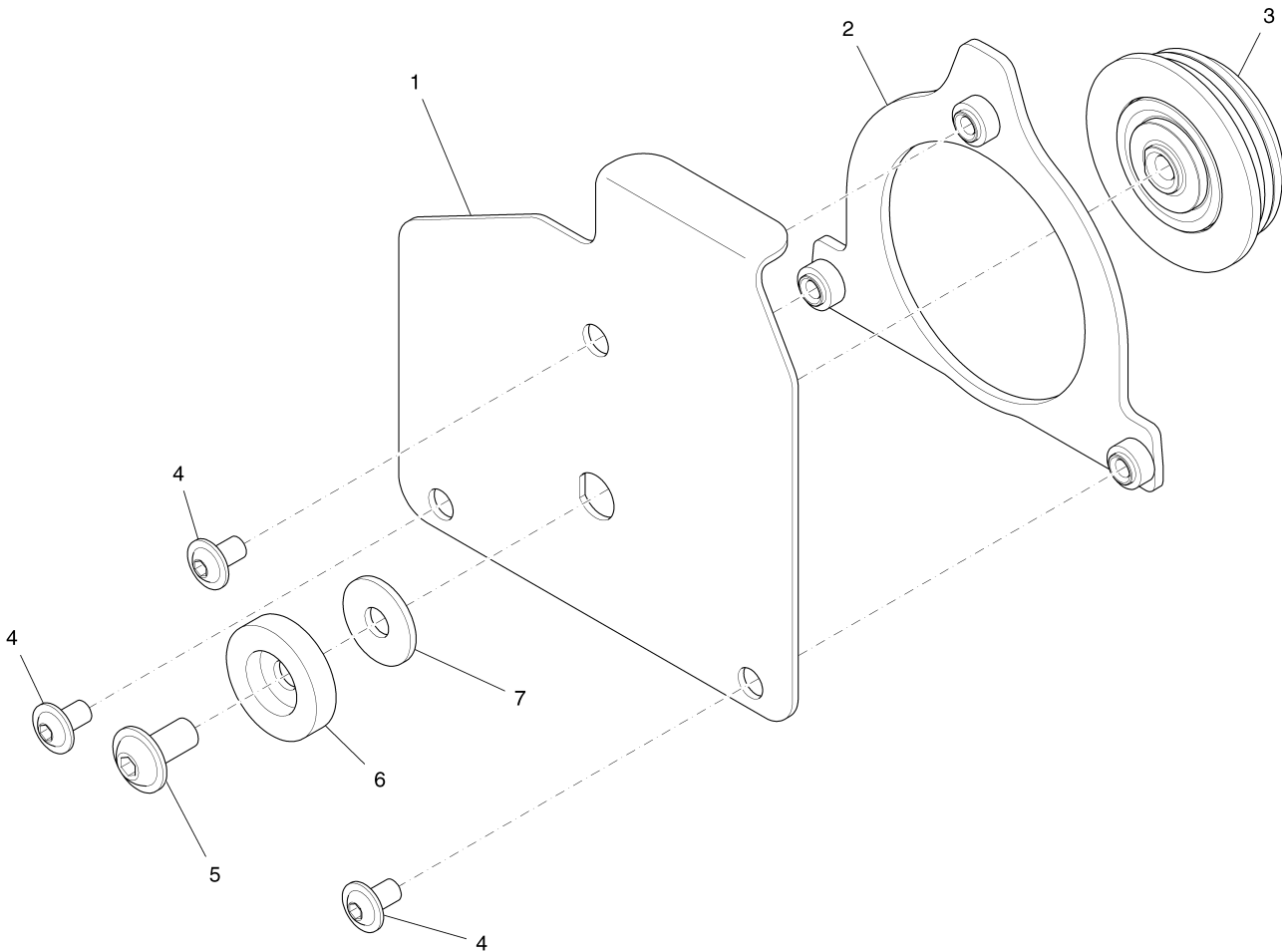
**Cylindrical brush drive, R.H.  
(97109060-03)**



**Cylindrical brush drive, R.H.  
(97109060-03)**

Item	Part number	Description	Qty.	Unit	Remarks
1	01017660	Hex. Nut	2		
2	00902270	Washer	6		
3	01059530	Hexagon screw	1		
4	00971400	Hex. Nut	1		
5	00101550	Washer	1		
6	01178830	Socket head screw	5		
7	00550870	Cyl.compression spring	1		
8	01073360	Bushing	1		
9	01082530	Lens flange screw	1		
10	01072260	Fillister-head screw	1		
11	01072510	Hex. Nut	1		
12	<b>01275490</b>	<b>Side cover</b>	<b>Page</b>	<b>55</b>	
13	01178570	Lever	1		
14	01178580	Bushing	1		
15	00854210	Washer	5		
16	00102140	Hex. Nut	5		
17	01178630	Spacer screw	4		
18	01172440	Belt covering	1		
19	01178820	Flat belt	1		
20	01172270	Cover	1		
21	01172260	Gasket	1		
22	00102150	Washer	4		
23	<b>01274770</b>	<b>Driver</b>	<b>Page</b>	<b>59</b>	
24	01017640	Lens flange screw	3		
25	00127470	Buffer	1		
26	00022430	Feather key	1		
27	01178560	Motor Scott	1		
28	01178530	Toothed belt pulley	1		
29	00022440	Retaining ring	1		
30	00854190	Hexagon screw	4		

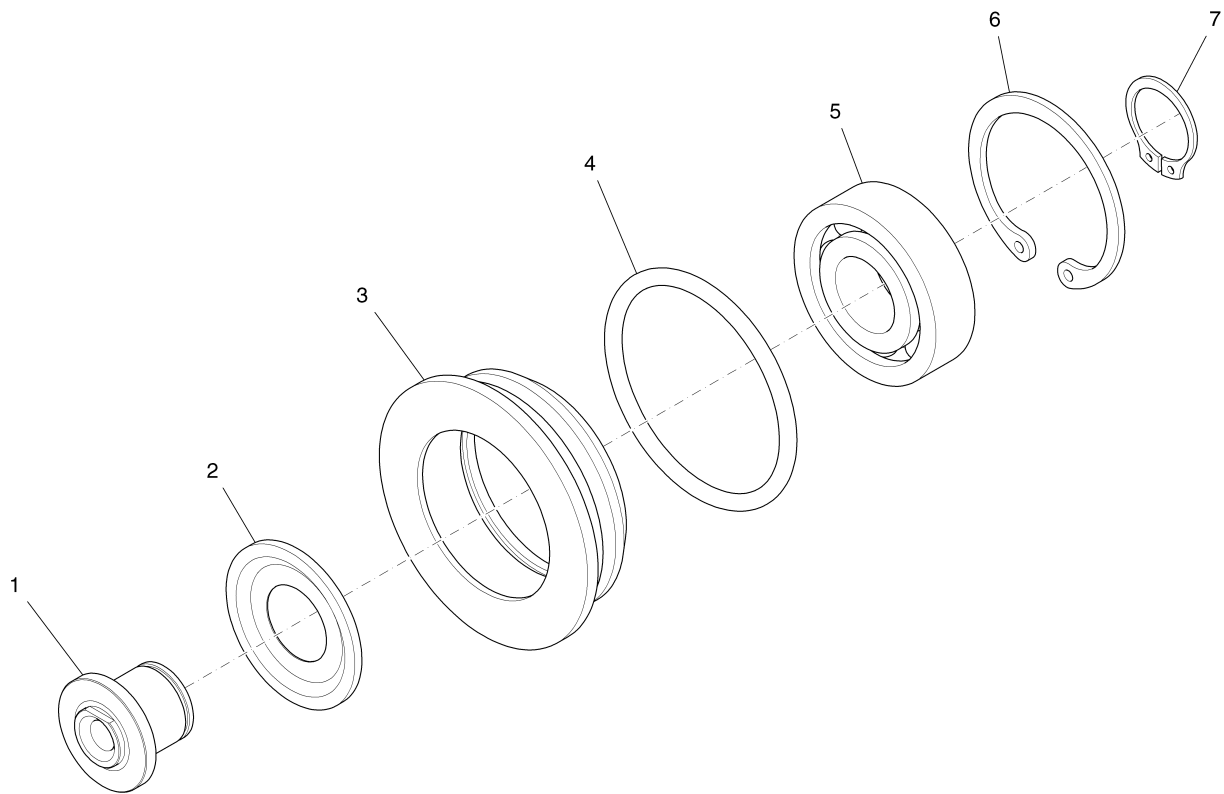
Side cover (01275490)



**Side cover (01275490)**

Item	Part number	Description	Qty.	Unit	Remarks
1	01172240	Side cover	1		
2	01172250	Centering bend	1		
3	<b>97110100</b>	<b>Counter Bearing</b>	<b>Page</b>	<b>57</b>	
4	01072520	Lens flange screw	3		
5	01074320	Lens flange screw	1		
6	01074330	Washer	1		
7	00902280	Washer	1		

**Counter Bearing (97110100)**



**Counter Bearing (97110100)**

Item	Part number	Description	Qty.	Unit	Remarks
1	01178500	Bearing pin	1		
2	01071860	Ring	1		
3	01178590	Counter bearing	1		
4	01178840	O-Ring	1		
5	00705410	Deep groove ball bearing	1		
6	00133100	Retaining ring	1		
7	00022230	Retaining ring	1		

## Table of Contents

Retaining ring (00022340) .....  
Toothed belt pulley (01178520) .....  
Circlip (01078820) .....  
Grooved ball bearing (01076560) .....  
Bushing (01077520).....  
Bearing seat (01178550) .....  
Ring (00124220) .....  
Straight pin (01178660) .....  
Driver (01178480) .....  
Feather key (01072580) .....

This manual covers all standard models:

**Model No.**

The machine will provide excellent service. However, the best results will be obtained if:

- The machine is operated with reasonable care.
- The machine is maintained regularly per the maintenance schedule in the instruction manual provided.
- The machine is maintained with PowerBoss OEM supplied or equivalent parts.

All right side and left side references to the machine are determined by facing the direction of forward travel. Parts may be ordered by phone or mail from any PowerBoss parts and service center. Before ordering parts or supplies be sure to have your machine model number and serial number handy.

Fill out the data block below for future reference.

MACHINE DATA Fill Out At Installation	
Model:	
Serial Number:	_____
Sales Rep or Dealer:	_____
Date of Install:	_____
Manual p/n:	4100059

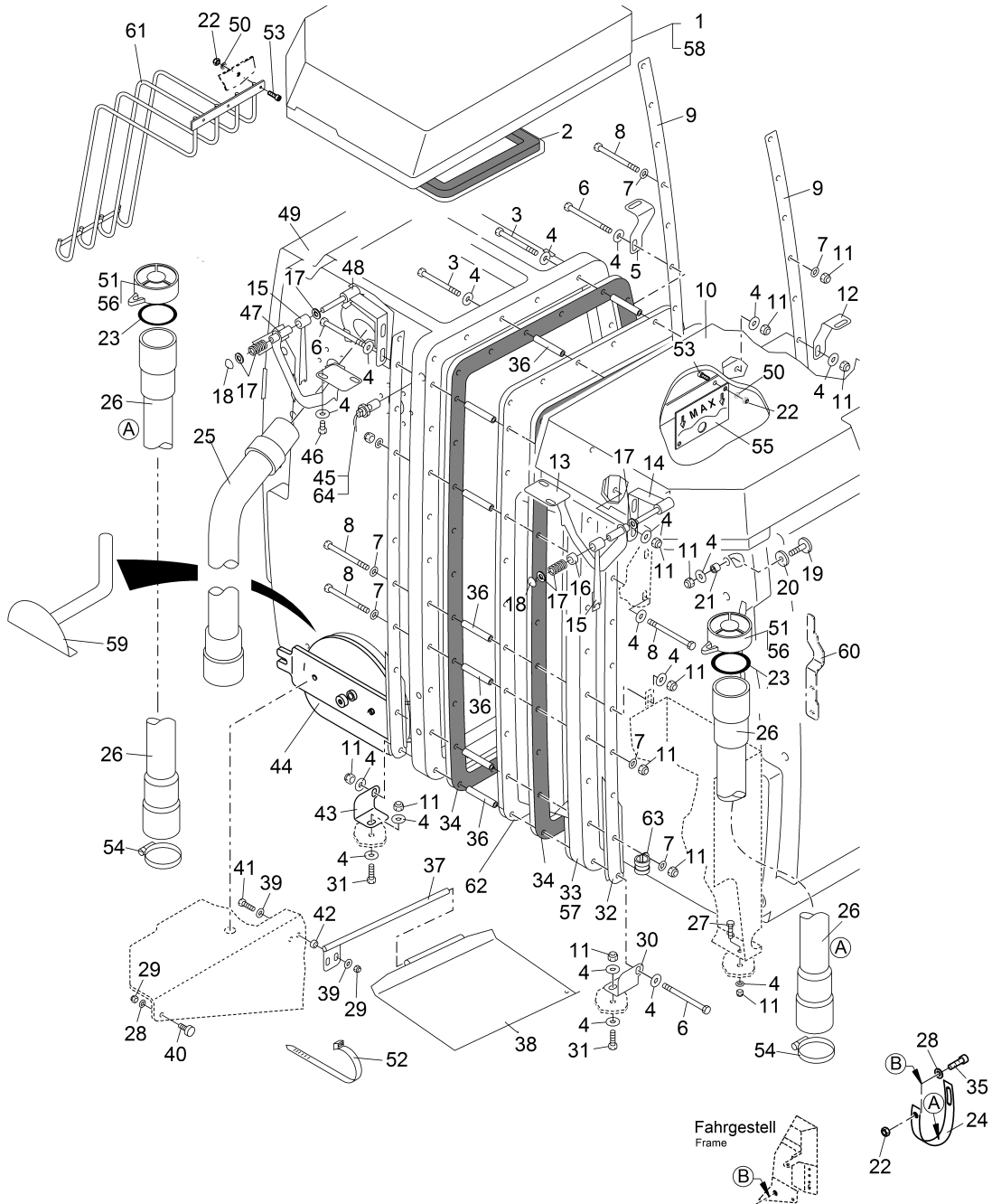
All information contained in this manual is current at the time of printing However, PowerBoss Reserves the right to make changes at any time without notice.

© 2018, Powerboss, Inc., Printed in USA

All rights reserved. This manual may not be copied or reproduced in any form, without the written permission of PowerBoss, Inc.



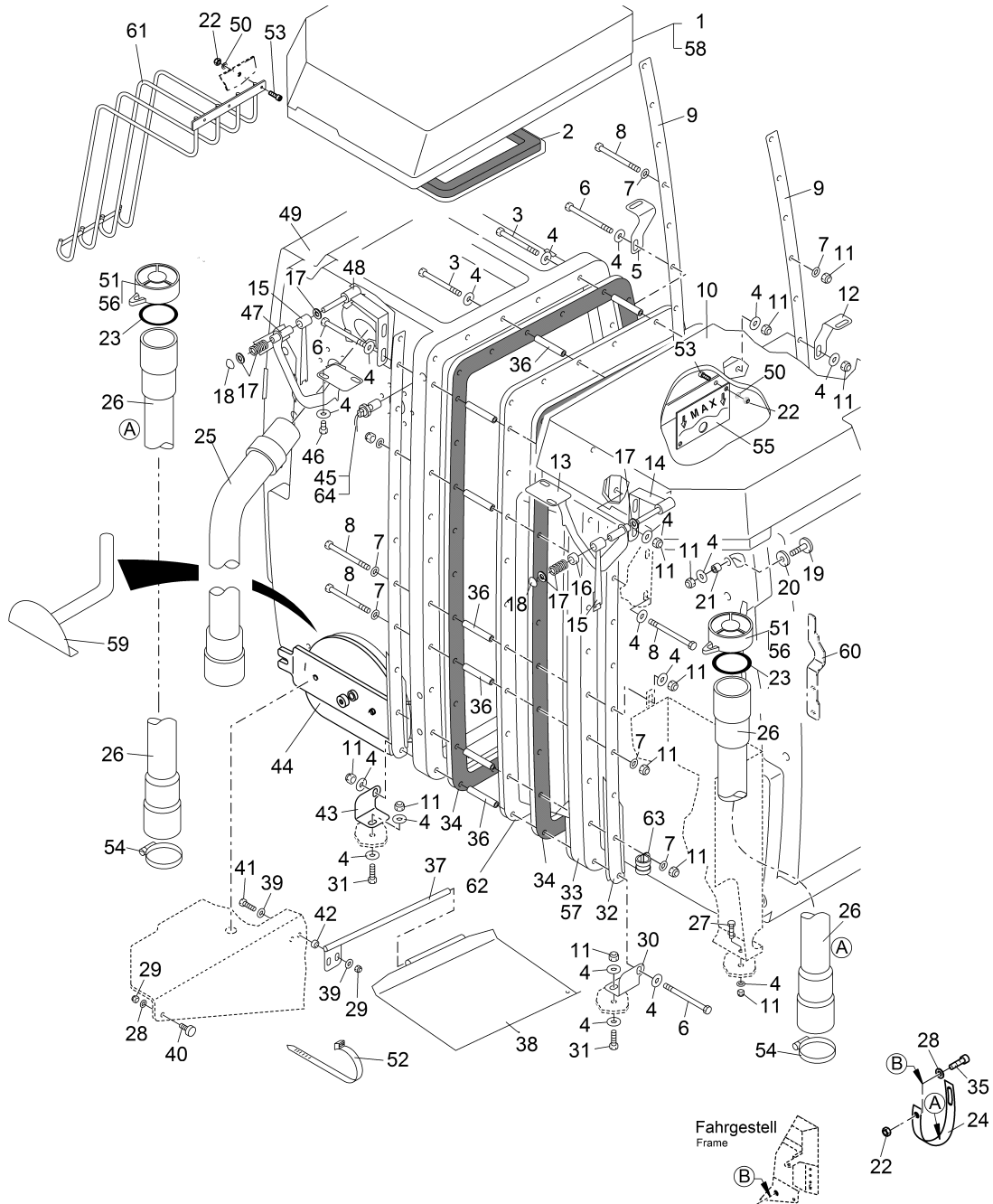
Hopper (97127179)



**Hopper (97127179)**

Item	Part number	Description	Qty.	Unit	Remarks
1	03009140	Cover L.H. grey	1		
2	00980710	Seal	2		
3	00053140	Hex.bolt	8		
4	00042900	Washer	36		
5	00975400	Angle	1		
6	00504590	Hex.bolt	4		
7	00053750	Washer	31		
8	00053150	Hex.bolt	17		
9	00246230	Prop	2		
10	03009150	Cover R.H. grey	1		
11	00051510	Hex. Nut	33		
12	00975390	Angle	1		
13	00980860	Handle	1		
14	00976180	Support	1		
15	00976200	Catch	1		
16	00104140	Bushing	1		
17	00053760	Washer	6		
18	00862520	Thrust washer	2		
19	00975350	Plate	2		
20	00975410	Seal	2		
21	01177640	Bushing	2		
22	00102140	Hex. Nut	5		
23	01177960	O-Ring	2		
24	01070570	Rubber gasket	2		
25	00035080	Hose	1		
26	00035720	Hose	2		incl. pos. 23,51,54,56
27	00053100	Hexagon screw	2		
28	00053730	Washer	1		
29	00051520	Hex. Nut	3		
30	00975370	Angle	1		
31	00054690	Hexagon screw	2		
32	00246240	Prop	2		
33	---	Spare part on request			96144563 Fresh water tank
34	00980700	Seal	2		
35	01143070	Socket head screw	2		
36	00975360	Pipe	29		

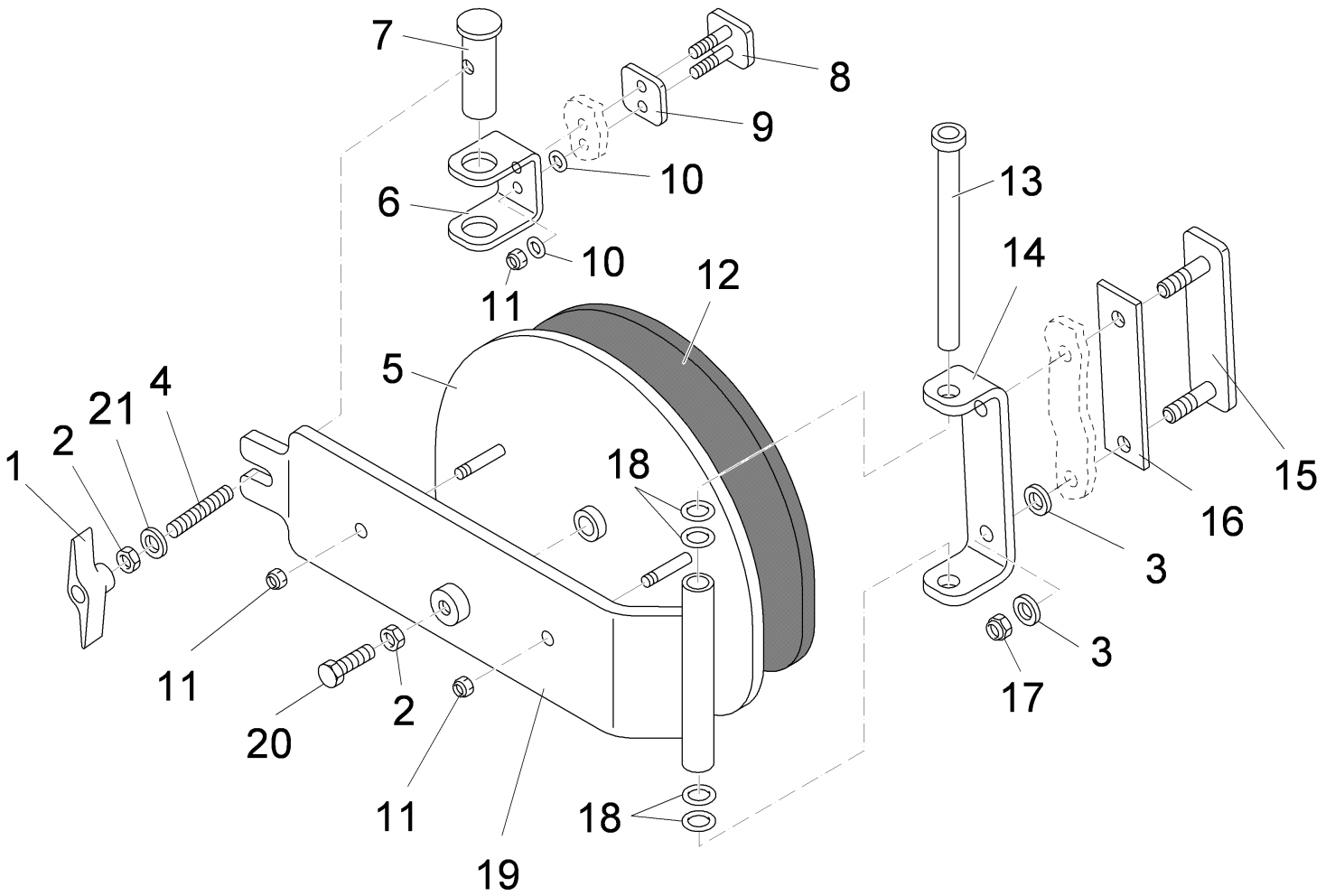
Hopper (97127179)



**Hopper (97127179)**

Item	Part number	Description	Qty.	Unit	Remarks
37	01177650	Rod	1		
38	00980680	Sheet metal	1		
39	00135120	Washer	2		
40	00121740	Stop buffer	1		
41	00053290	Hexagon screw	2		
42	00862430	Bushing	2		
43	00975380	Angle	1		
44	<b>97042535</b>	<b>Flap (Hopper)</b>	<b>Page</b>	<b>65</b>	
45	00959650	Float switch	1		
46	00553690	Hex.bolt	4		
47	00980840	Handle	1		
48	00976190	Support	1		
49	---	Spare part on request	1		96144589 Dirt water tank
50	00854210	Washer	7		
51	00142230	Cover	2		
52	00967760	Cable tie	2		
53	00501430	Socket head screw	5		
54	00522160	Hose clamp	2		
55	01177660	Water level indicator	1		
56	00108650	Fillister-head screw	4		
57	01051840	Flange	1		
58	00865630	Sealing tape	0,020		
59	00980690	Pipe	1		
60	00980810	Angle	1		
61	00980910	Handle	1		
62	00035060	Membran wall	1		
63	00159550	Pipe clamp	1		
64	00903170	Tab	2		

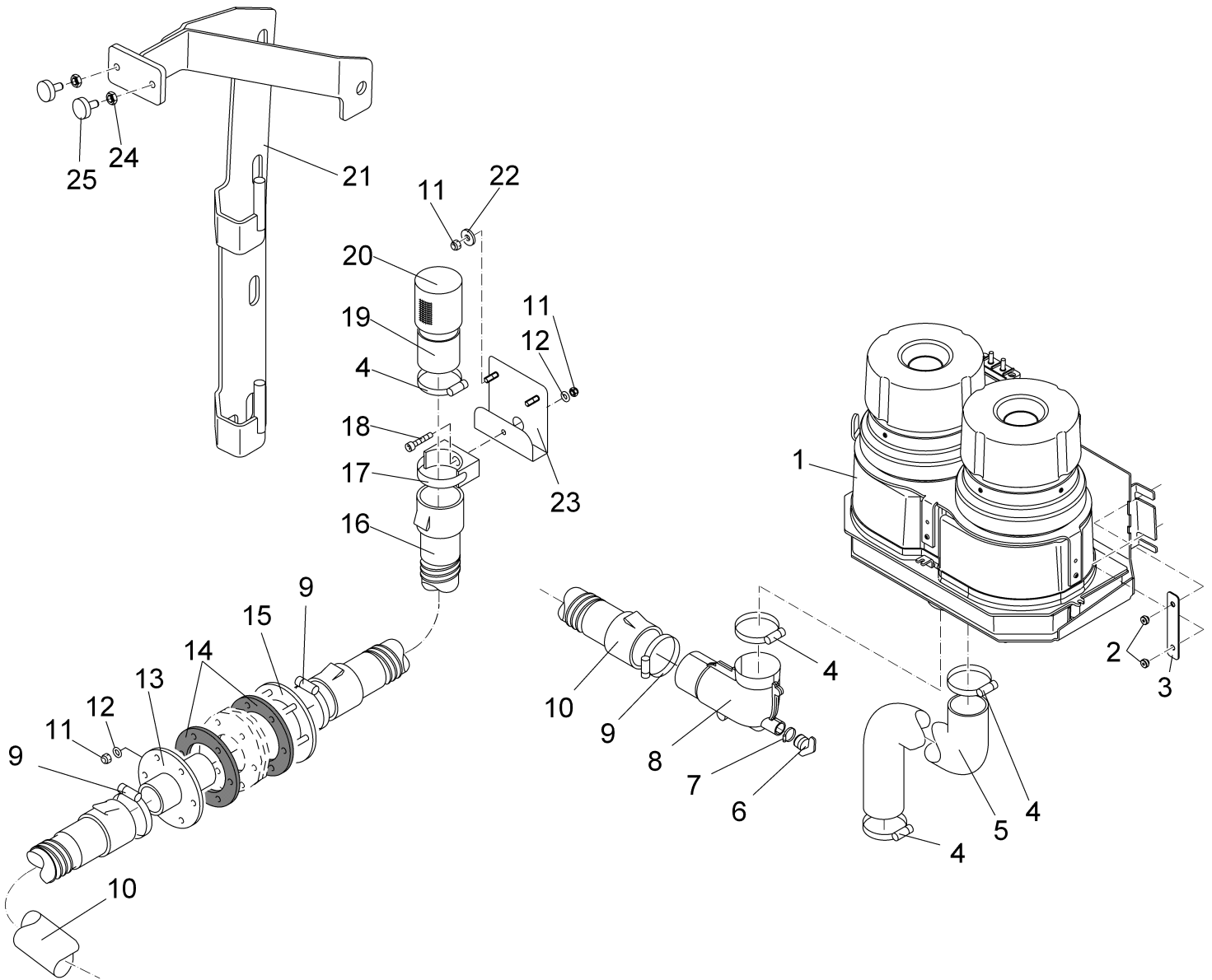
**Flap (Hopper) (97042535)**



**Flap (Hopper) (97042535)**

Item	Part number	Description	Qty.	Unit	Remarks
1	00101470	Wing nut	1		
2	00053350	Hex. Nut	2		
3	00053750	Washer	4		
4	00902600	Threaded bolt	1		
5	00980820	Flap	1		
6	00976090	Angle	1		
7	00976100	Bolt	1		
8	00975560	Bolt	1		
9	00976070	Seal	1		
10	00053730	Washer	4		
11	00051520	Hex. Nut	4		
12	00975600	Seal	1		
13	00975590	Bolt	1		
14	00976110	Angle	1		
15	00975570	Plate	1		
16	00976080	Seal	1		
17	00051510	Hex. Nut	2		
18	00557340	Adjusting washer	4		
19	00975580	Handle	1		
20	00133700	Hexagon screw	1		
21	00042900	Washer	1		

**Suction unit (97075337 7580-12)**

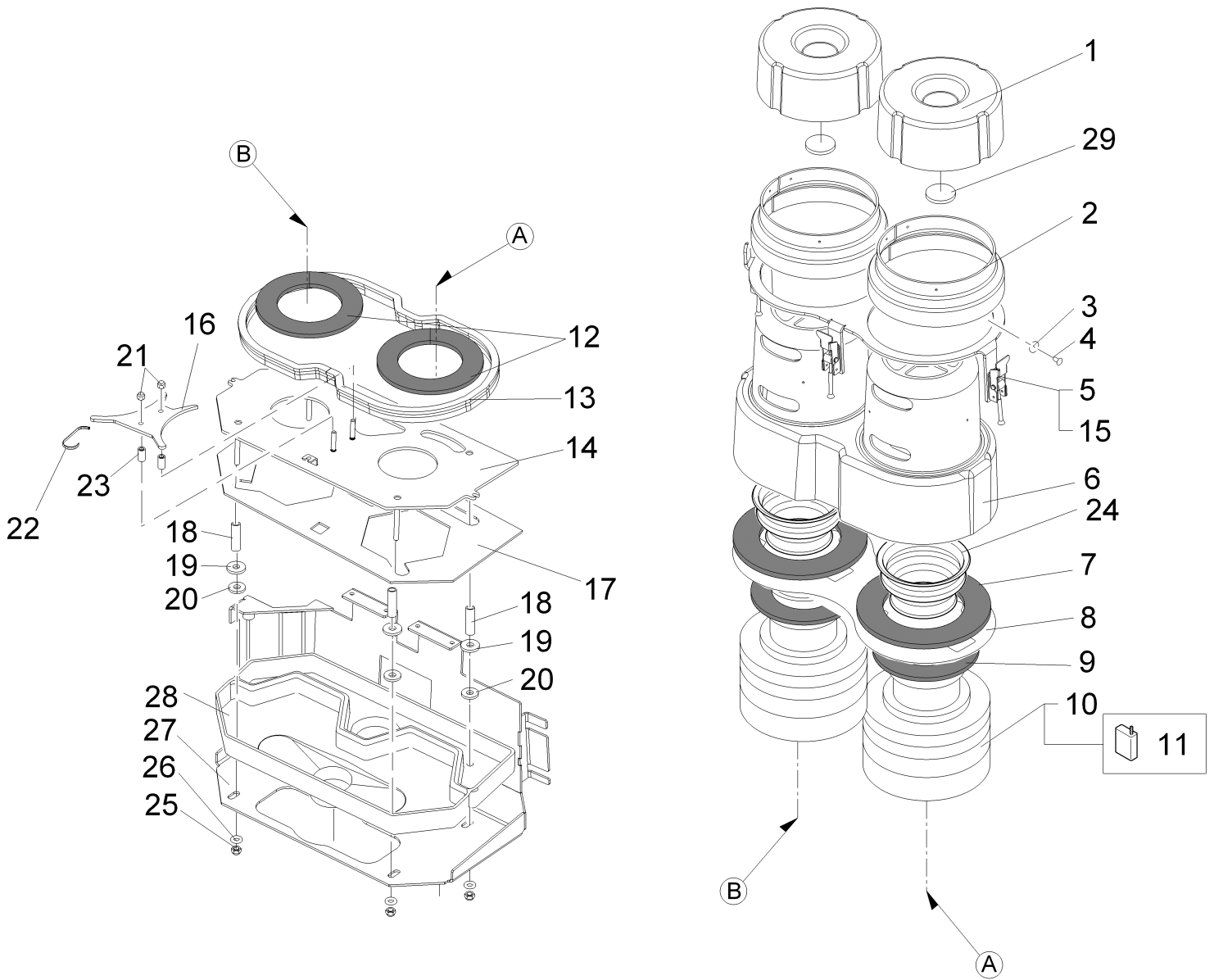


Suction unit (97075337 7580-12)

Item	Part number	Description	Qty.	Unit	Remarks
1	<b>03010560</b>	<b>Aspirator</b>	Page	<b>69</b>	
2	00903210	Knurled nut	2		
3	01177700	Sheet metal	1		
4	00732130	Hose clamp	2		
5	00431380	Hose	1		
6	00054560	Valve	1		
7	00733160	Hose clamp	1		
8	01070530	Arc	1		
9	00522160	Hose clamp	4		
10	00770500	Hose	1		
11	00051520	Hex. Nut	11		
12	00053730	Washer	7		
13	01070540	Pipe	1		
14	00976260	Seal	1		
15	00976220	Flange	1		
16	00321090	Hose	1		
17	00522150	Pipe clamp	1		
18	00501430	Socket head screw	1		
19	01070550	Pipe	1		
20	01070520	Filter screen	1		
21	01177690	Retainer	1		
22	00135120	Washer	4		
23	01070560	Support	1		
24	00053330	Hex. Nut	6		
25	00127470	Buffer	2		



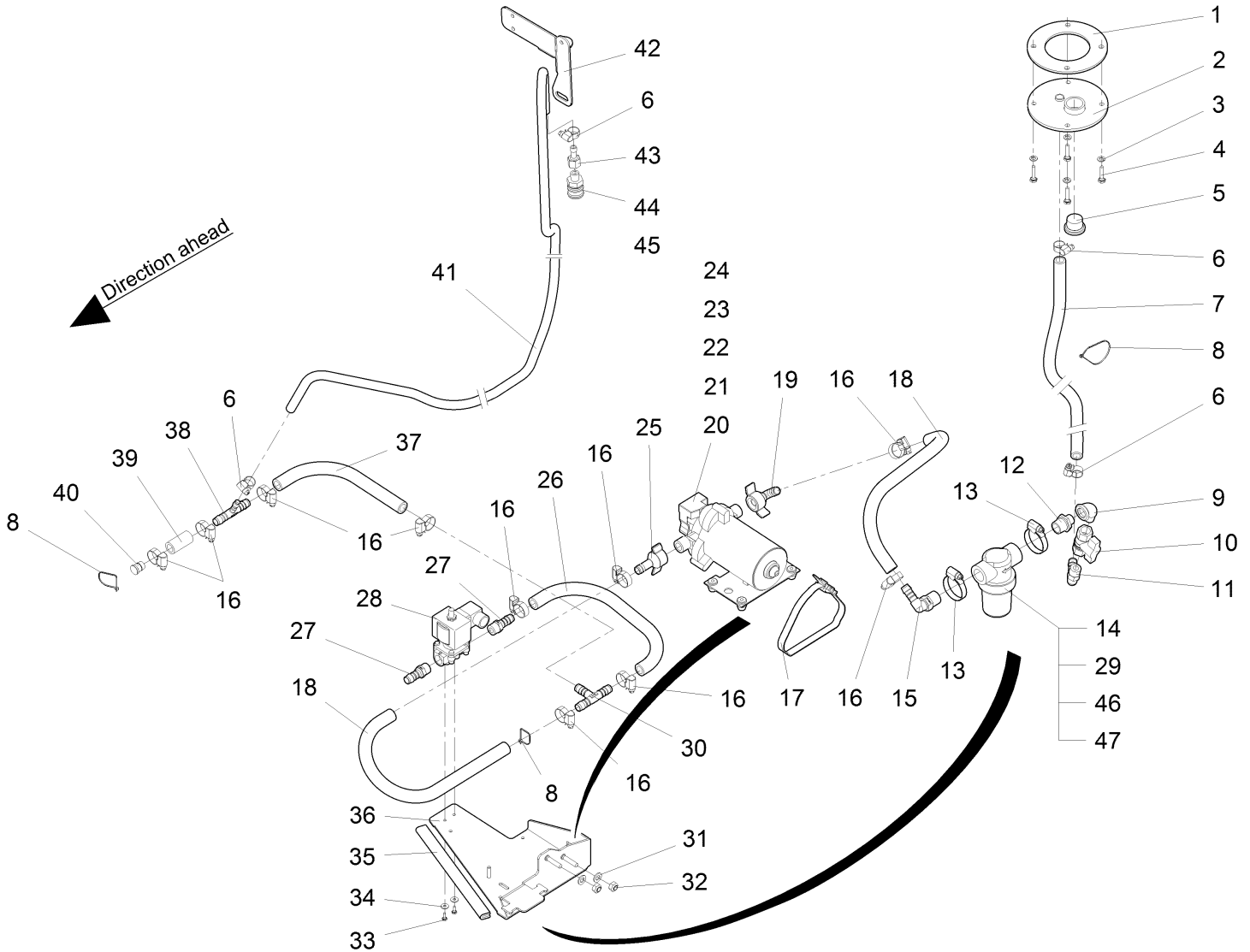
**Aspirator (03010560)**



**Aspirator (03010560)**

Item	Part number	Description	Qty.	Unit	Remarks
1	01070600	Hood	2		
2	01070620	Ring	2		
3	00553740	Washer	8		
4	00131600	Rivet	8		
5	01070760	Sheet metal	1		Only for HKM B 1100 (until ser.no.: 7580.02.1.0570.5)
6	01070610	Covering	1		
7	01070580	Seal	2		
8	01076820	Sheet metal	1		
9	01070590	Seal	2		
10	00911380	Turbine	2		
11	00049810	Carbon brush	2		
12	00130570	Seal	2		
13	00752350	Edge protection	1,060		
14	01076830	Sheet metal	1		
15	01079340	Sheet metal	1		For HKM B 1100 (from ser.no.: 7580.02.1.0571.5) aswell as HKM B 1050 and HKM B310 R
16	01177680	Plate	1		
17	01070640	Gasket	1		
18	01177670	Pipe	4		
19	00074230	Washer	4		
20	00100720	Washer	4		
21	00051520	Hex. Nut	2		
22	00967760	Cable tie	2		
23	---	Spare part on request	2		90567454 Pipe
24	01178490	Connection	2		
25	00051510	Hex. Nut	4		
26	00053750	Washer	4		
27	01070630	sheet metal	1		
28	01073180	Tub	1		
29	01178510	Gasket	2		

**Water circulation (97110704)**



**Water circulation (97110704)**

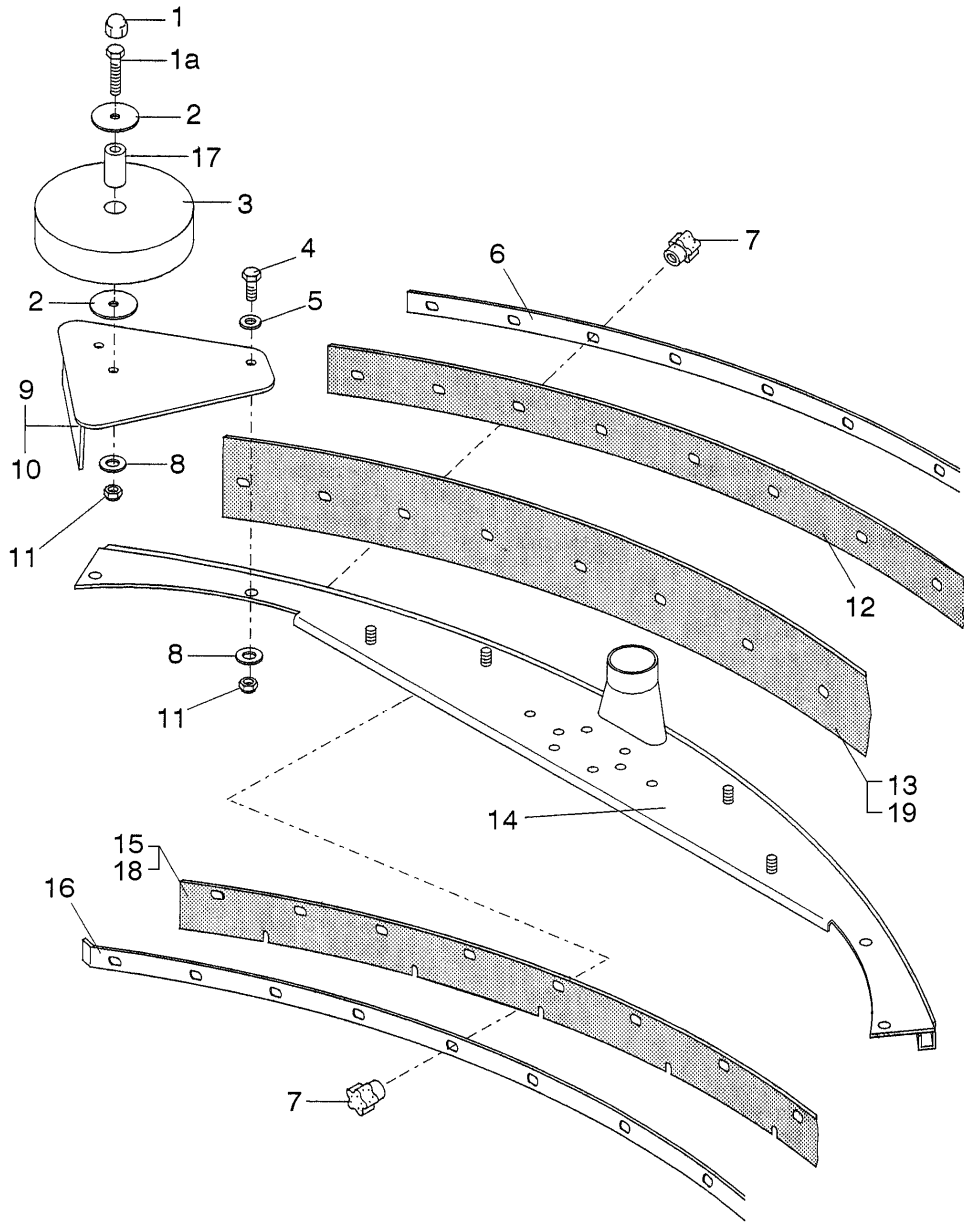
Item	Part number	Description	Qty.	Unit	Remarks
1	00976130	Seal	1		
2	00976120	Plate	1		
3	00053400	Lock washer	4		
4	00053030	Hexagon screw	4		
5	01177630	Locking screw	1		
6	00074300	Hose clamp	4		
7	00171030	Hose	0,690		
8	00121150	Cable tie	2		
9	01015360	Angle	1		
10	00952760	Ball tap	1		
11	00020020	Angle socket	1		
12	00521140	Double nipple	1		
13	01071810	Hose clamp	2		
14	01072850	Filter	1		
15	00971440	Angle socket	1		
16	01076220	Hose clamp	10		
17	01073340	Cable tie	1		
18	00200170	PVC hose	0,470		
19	00154140	Screwed angle fitting	1		
20	00543750	Pump	1		
21	00559670	Socket-cont. Pos. Lock 6,3x0,8 (0,5-1,5)	1		
22	00083640	Female-housing 1-pole Positive Lock	1		
23	00083650	Male-housing 1-pole FASTIN-ON 6,3	1		
24	00903190	Tab	1		
25	01071450	Straight screw connection	1		
26	00200170	PVC hose	0,350		
27	00976140	Screwed plug	2		
28	01071000	Electrovalve	1		
29	01071010	Filter insert	1		
30	00976160	T-piece	1		
31	00053750	Washer	2		
32	00051510	Hex. Nut	2		
33	00058580	Hex.bolt	2		
34	00557150	Washer	2		
35	00161240	Edge protection	0,240		
36	---	Spare part on request	1		96128533 Holder



**Water circulation (97110704)**

Item	Part number	Description	Qty.	Unit	Remarks
37	00200170	PVC hose	0,240		
38	01073020	T-piece	1		
39	00200170	PVC hose	0,040		
40	---	Spare part on request	1		90582438 Bolt
41	00562480	Spiral hose	1,850		
42	01276120	Retainer	1		
43	00552600	Hose nipple	1		
44	00552590	Quick hitch	1		
45	03007630	Sealing band	1		
46	01072830	Sealing ring	1		
47	01072840	Straining cap	1		

**Squeegee (97042360)**

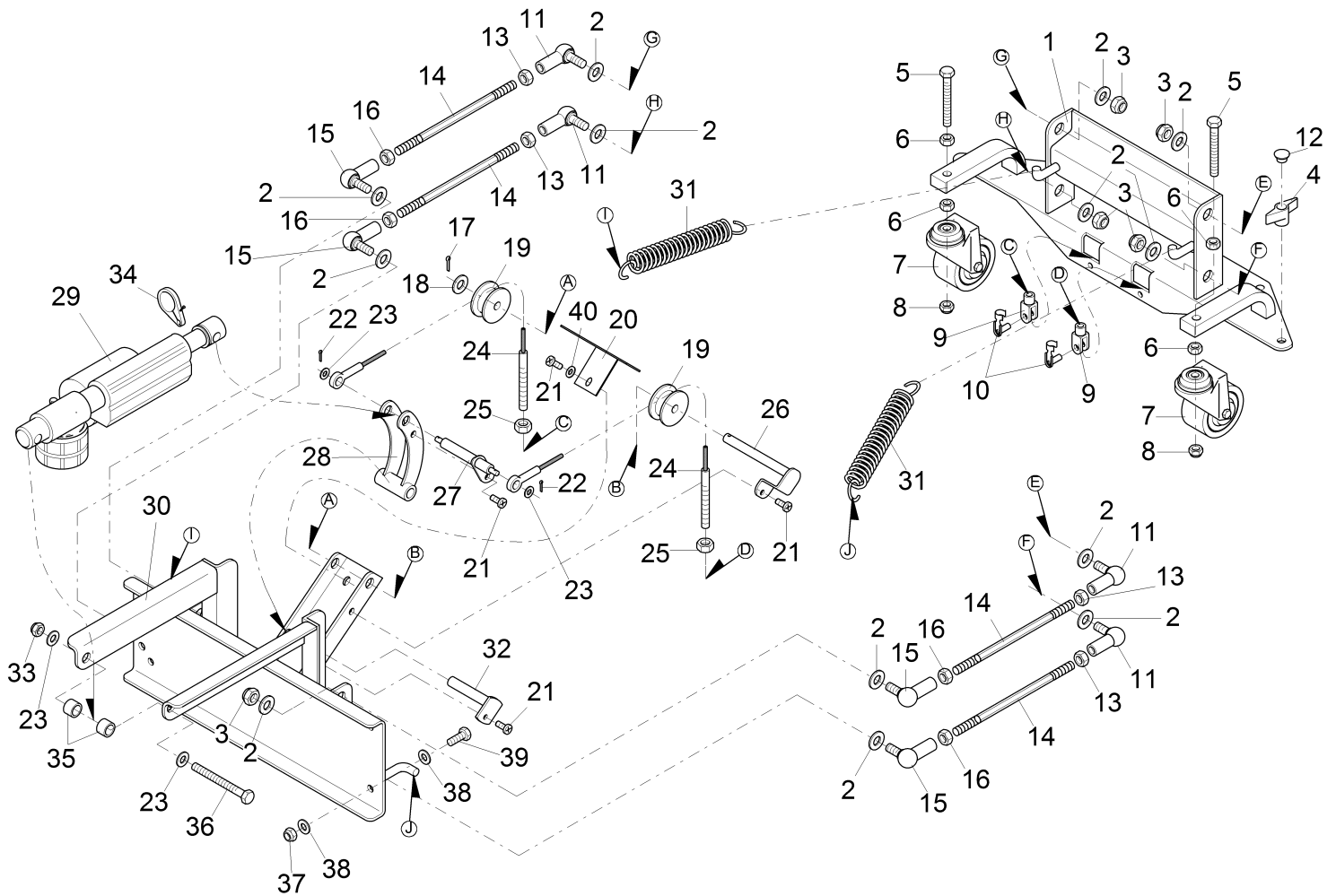


**Squeegee (97042360)**

Item	Part number	Description	Qty.	Unit	Remarks
1	00131610	Lens cap	2		
1a	00053260	Hex.bolt	2		
2	00878400	Washer	4		
3	00972170	Roller	2		
4	00053100	Hexagon screw	4		
5	00053750	Washer	4		
6	00244970	Sheet metal	1		
7	00853730	Star handle	14		
8	00042900	Washer	6		
9	00910140	Plate L.H.	1		
10	00910180	Plate R.H.	1		
11	00051510	Hex. Nut	6		
12	00411600	Supporting border	1		
13	00411580	Sealing strip	1		
14	00035180	Squeegee	1		
15	00411620	Sealing strip	1		
16	00244980	Sheet metal	1		
17	00972180	Sleeve	2		
18	01077090	Sealing strip front (Linatex)	1		
19	01077100	Sealing strip rear (Linatex)	1		



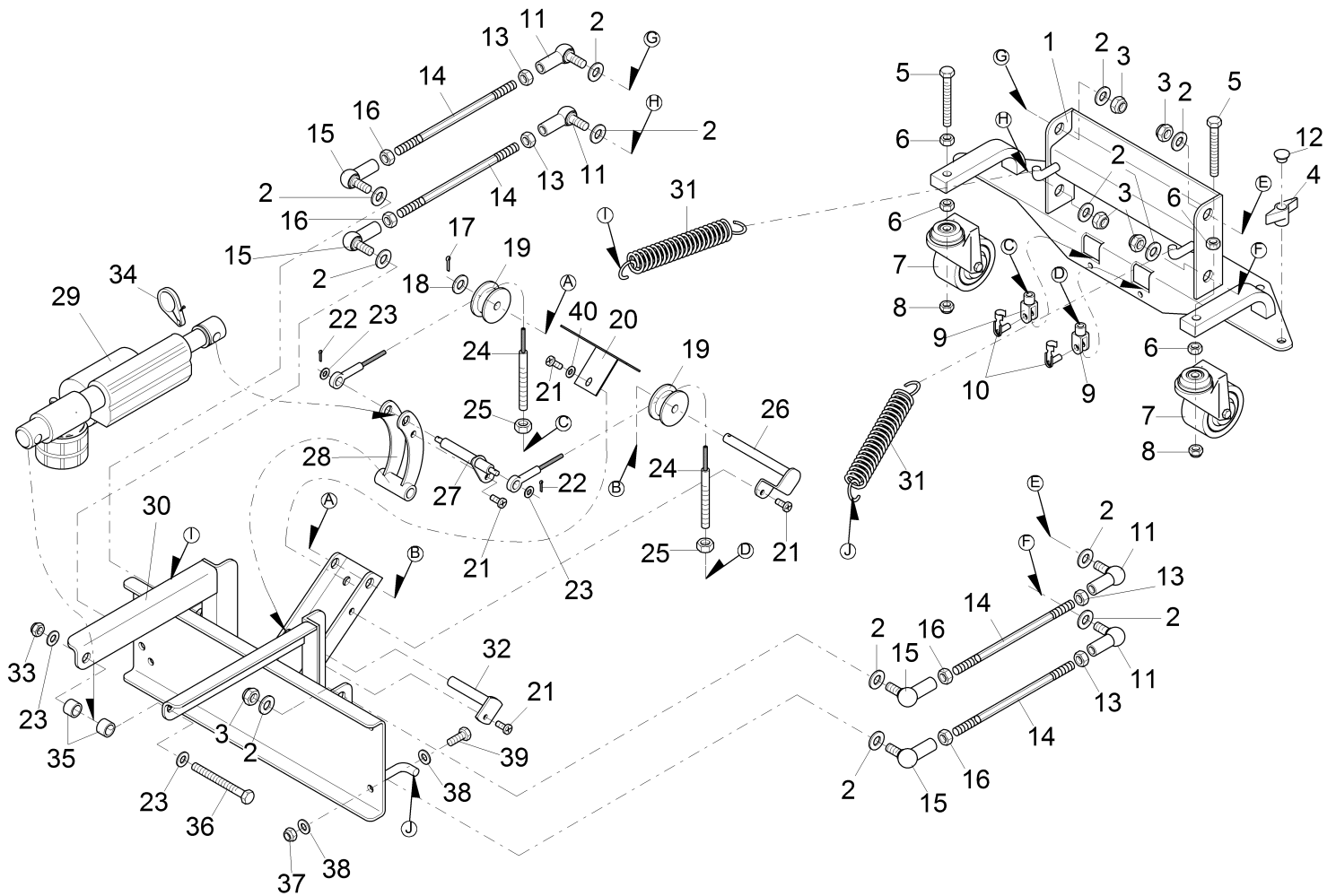
**Lifting assy for suction (97042345)**



**Lifting assy for suction (97042345)**

Item	Part number	Description	Qty.	Unit	Remarks
1	00910170	Support	1		
2	00053780	Washer	10		
3	00044420	Hex. Nut	9		
4	00101470	Wing nut	4		
5	00864080	Hex.bolt	2		
6	00053360	Hex. Nut	4		
7	00471600	Steering roller	2		Caution! New version! Please change all rollers when different!
8	00051500	Hex. Nut	2		
9	00851570	Fork yoke	2		
10	00851590	Bolt	2		
11	00101440	Hinged joint	4		
12	00902300	Drain plug	4		
13	00101480	Hex. Nut	4		
14	00974320	Threaded rod	4		
15	00522370	Hinged joint	4		
16	00053740	Hex. Nut	4		
17	00553580	Cotter pin	1		
18	00053770	Washer	1		
19	00972140	Roller	2		
20	00972160	Angle	1		
21	00959220	Screw	4		
22	00534540	Cotter pin	2		
23	00053730	Washer	4		
24	00972150	Pull of the rope	2		
25	00053330	Hex. Nut	2		
26	00972120	Bolt	1		
27	00972090	Bolt	1		
28	00972100	Pipe	1		
29	00650200	Lifting spindle	1		
30	00910160	Support	1		
31	00522290	Tension spring	2		
32	00972110	Bolt	1		
33	00051490	Hex. Nut	1		
34	00962620	Clamp	1		
35	00972130	Spreader tube	2		

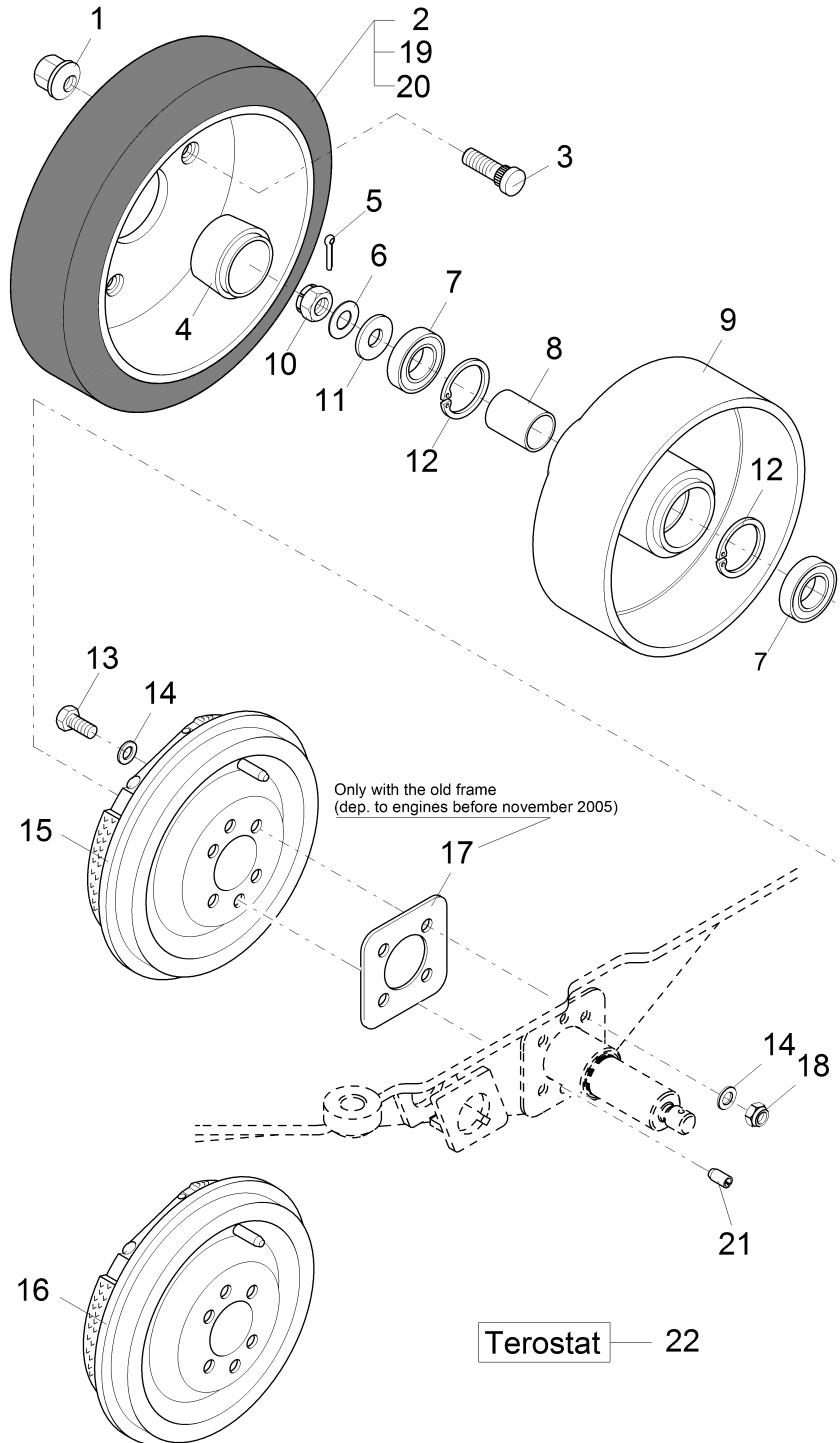
**Lifting assy for suction (97042345)**



**Lifting assy for suction (97042345)**

Item	Part number	Description	Qty.	Unit	Remarks
36	00105390	Hex.bolt	1		
37	00051510	Hex. Nut	4		
38	00042900	Washer	8		
39	00053100	Hexagon screw	4		
40	00555520	Washer	1		

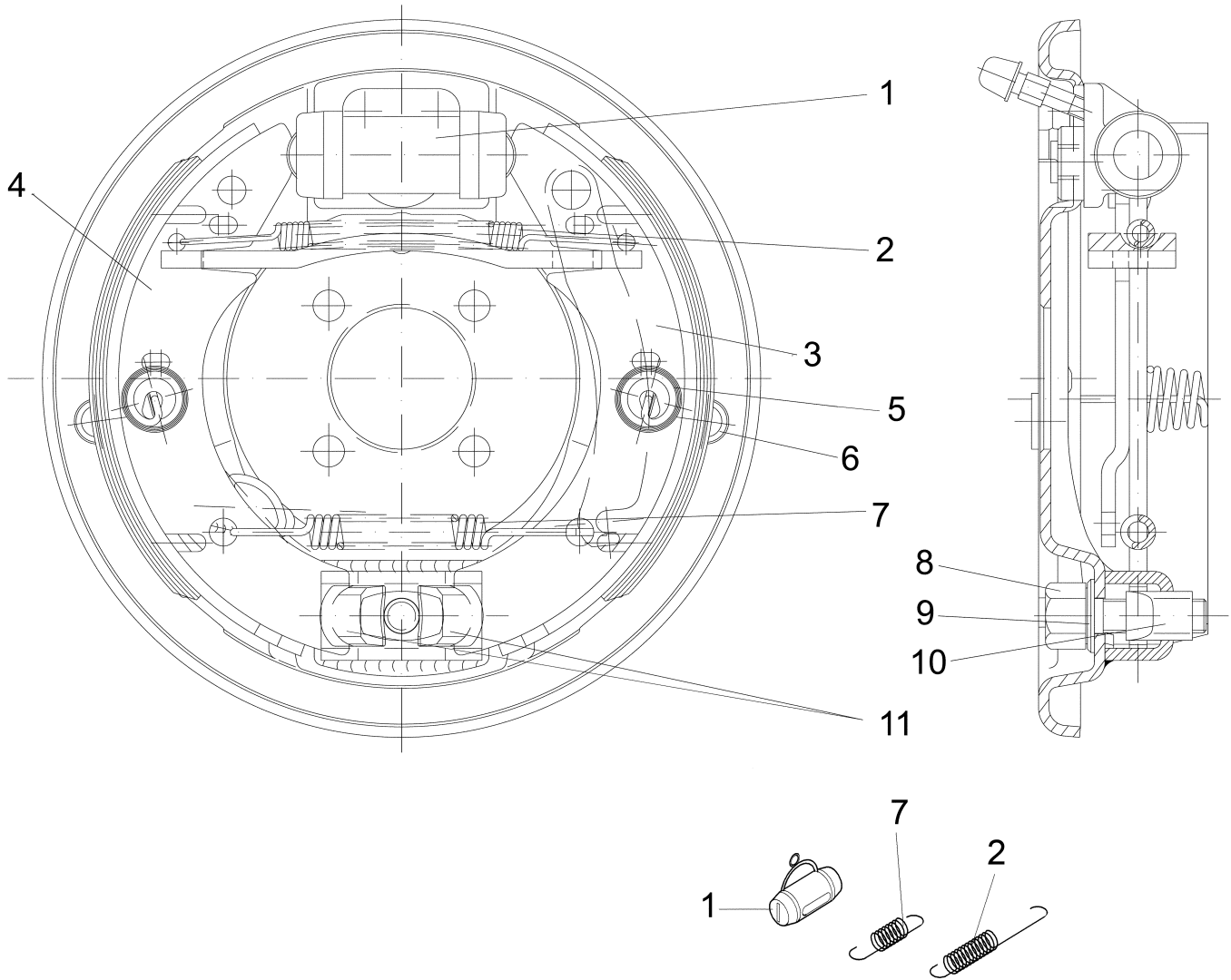
**Rear wheels (97042311)**



**Rear wheels (97042311)**

Item	Part number	Description	Qty.	Unit	Remarks
1	00854640	Spherical collar nut	8		
2	00981620	Rear wheel	2		
3	00854630	Wheel bolt	8		
4	00972080	Cover	2		
5	00139930	Cotter pin	2		
6	00155180	Adjusting washer	1		
7	00106500	Deep groove ball bearing	4		
8	00925650	Bushing	2		
9	00910020	Brake drum	2		
10	00072360	Slotted nut	2		
11	00851240	Washer	2		
12	00153110	Retaining ring	4		
13	00749080	Hex.bolt	8		
14	00053750	Washer	16		
15	<b>00321680</b>	<b>Brake R.H.</b>	<b>Page</b>	<b>83</b>	
16	<b>00321650</b>	<b>Brake L.H.</b>	<b>Page</b>	<b>85</b>	
17	00972070	Plate	2		
18	00051510	Hex. Nut	8		
19	01057130	Rear wheel L.H. (skid-proof type)	1		
20	01057140	Rear wheel R.H. (skid-proof type)	1		
21	00072410	Dowel pin	4		
22	03006960	Sealing compound	1		

**Brake R.H. (00321680)**

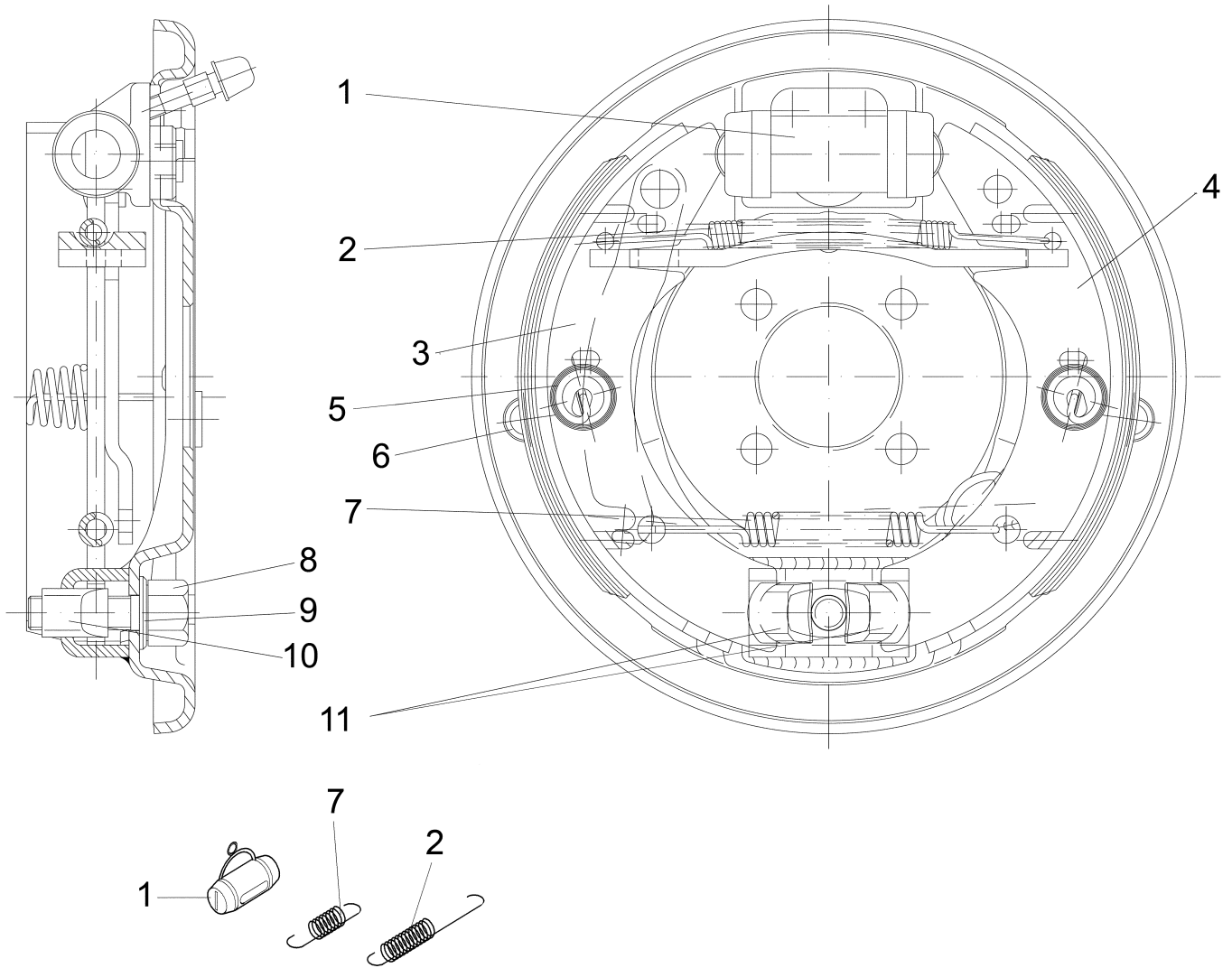


**Brake R.H. (00321680)**

Item	Part number	Description	Qty.	Unit	Remarks
1	00109990	Wheel brake cylinder	1		
2	00966260	Tension spring	1		
3	00141950	Brake shoe R.H. with fixing device	1		
4	00260010	Brake shoe	1		
5	00525060	Pressure spring	2		
6	00525010	Sealing cover	2		
7	00022020	Tension spring	1		
8	01146180	Hexagon screw	1		
9	00053760	Washer	1		
10	00525030	adjusting key	1		
11	00525020	Adjusting bolt	2		



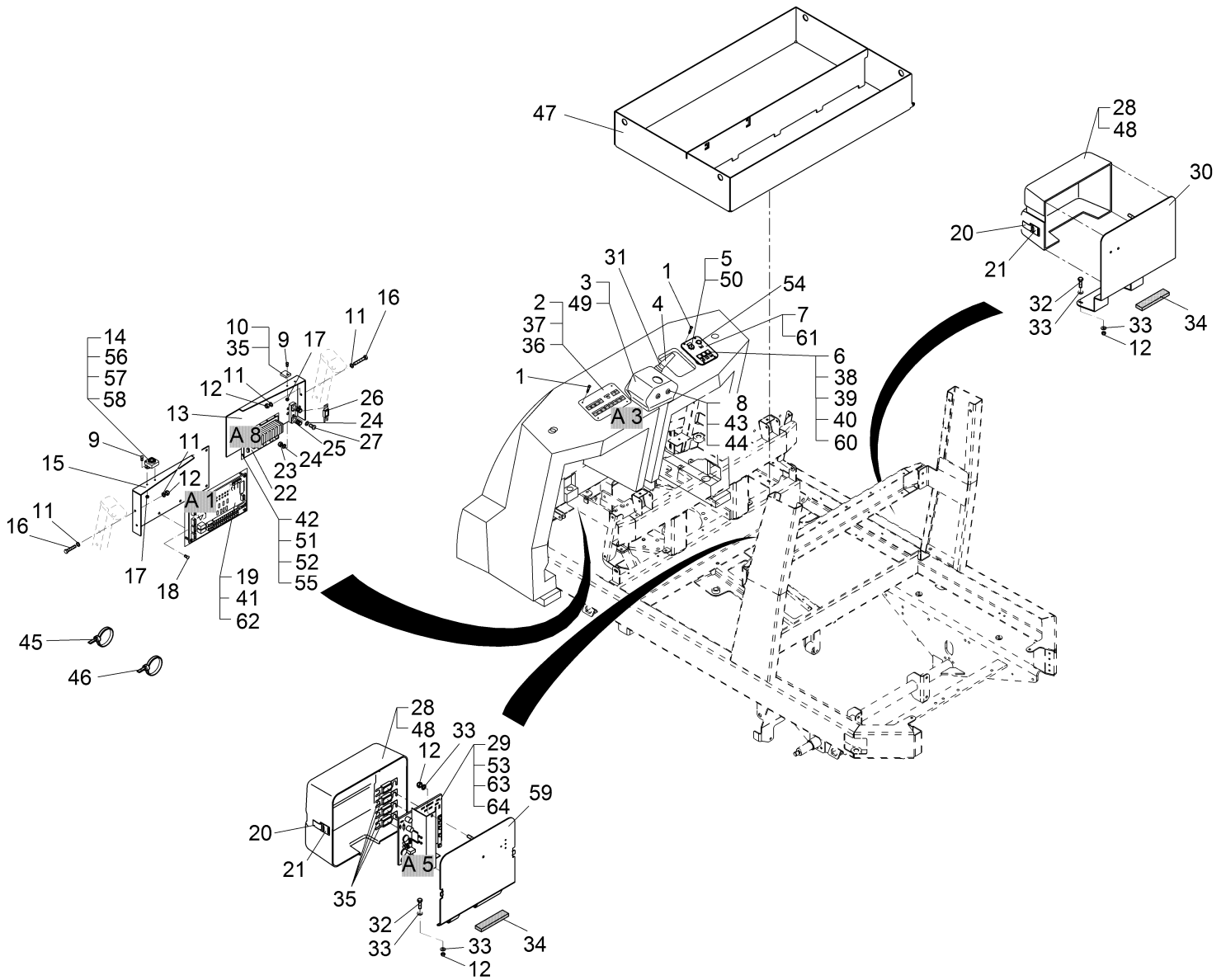
**Brake L.H. (00321650)**



**Brake L.H. (00321650)**

Item	Part number	Description	Qty.	Unit	Remarks
1	00109990	Wheel brake cylinder	1		
2	00966260	Tension spring	1		
3	00141980	Brake shoe L.H. with fixing device	1		
4	00260010	Brake shoe	1		
5	00525060	Pressure spring	2		
6	00525010	Sealing cover	2		
7	00022020	Tension spring	1		
8	01146180	Hexagon screw	1		
9	00053760	Washer	1		
10	00525030	adjusting key	1		
11	00525020	Adjusting bolt	2		

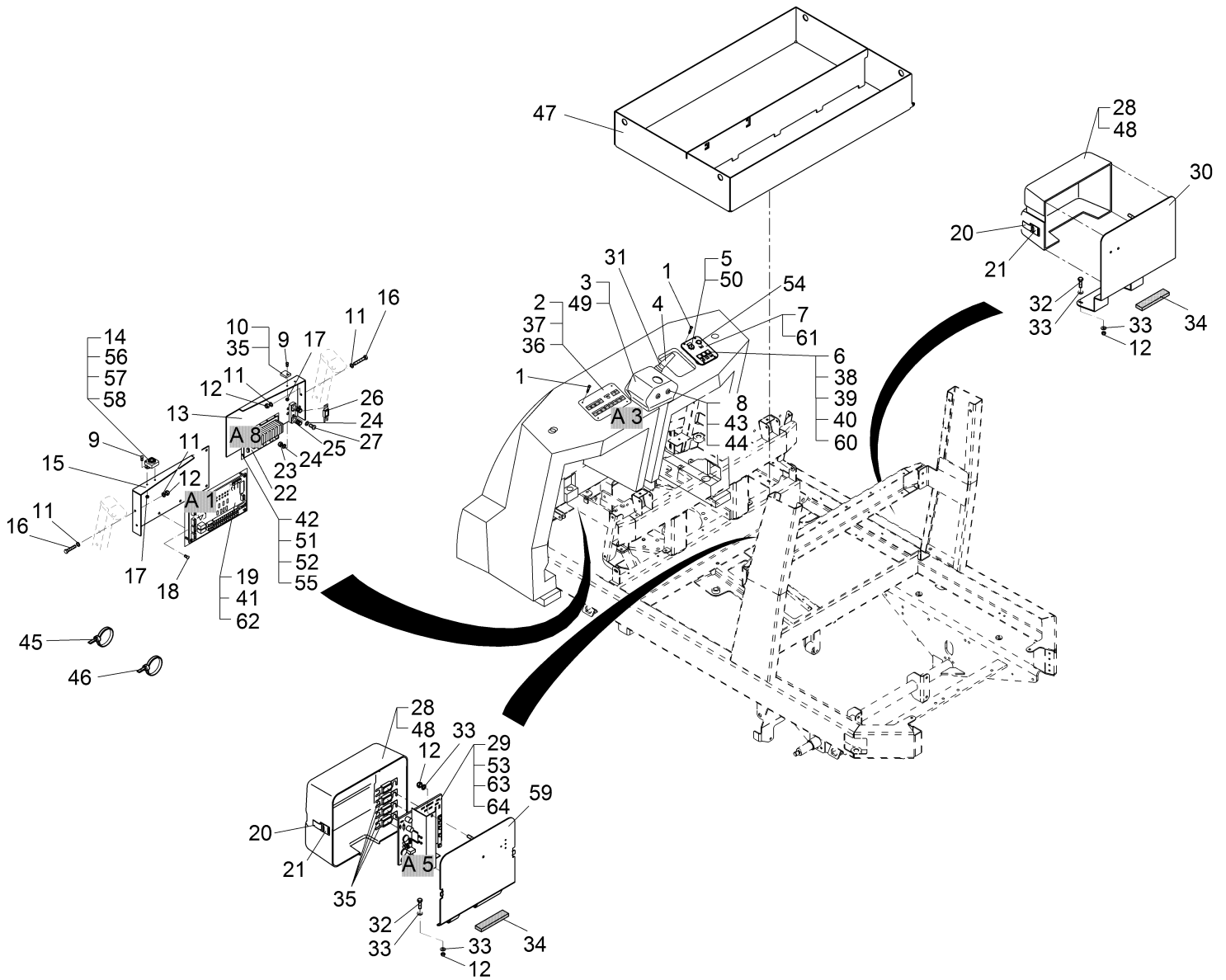
Electrical equipment part 1 (97111868-1)



**Electrical equipment part 1 (97111868-1)**

Item	Part number	Description	Qty.	Unit	Remarks
1	00961490	Screw	8		
2	01177710	Control panel L.H.	1		
3	00831910	Hood	1		
4	00697630	Switch	1		
5	00021710	Key switch	1		
6	00521360	Luminous push-button	2		
7	---	Spare part on request	1		96130844 Plate
8	00733180	Tapping screw	4		
9	00695680	Fillister-head screw	3		
10	00509560	Fuse holder	1		
11	00048390	Disk wheel	8		
12	00051520	Hex. Nut	22		
13	00722210	Angle bracket R.H.	1		
14	00745850	Signal transmitter	1		
15	00722200	Angle bracket L.H.	1		
16	00535110	Hex.bolt	4		
17	00022200	Hex. Nut	3		
18	00731550	Fillister-head screw	8		
19	01175790	Control module	1		
20	01177110	Tension band	2		
21	00109580	Bracket	4		
22	00512440	Auxiliary supply module	1		
23	00133830	Hex. Nut	10		
24	00053710	Washer	6		
25	00121440	Fuse holder	1		
26	00101520	Fuse	1		
27	00954570	Fillister-head screw	2		
28	00831900	Hood	2		
29	00752920	Module	1		
30	00722230	Console L.H.	1		in direction of travel: right hand!
31	01074110	Rubber cap	1		
32	00053020	Hexagon screw	2		
33	00135120	Washer	4		
34	00053980	Seal	2		
35	00874970	Fuse	1		
36	00712220	Control panel standard	1		

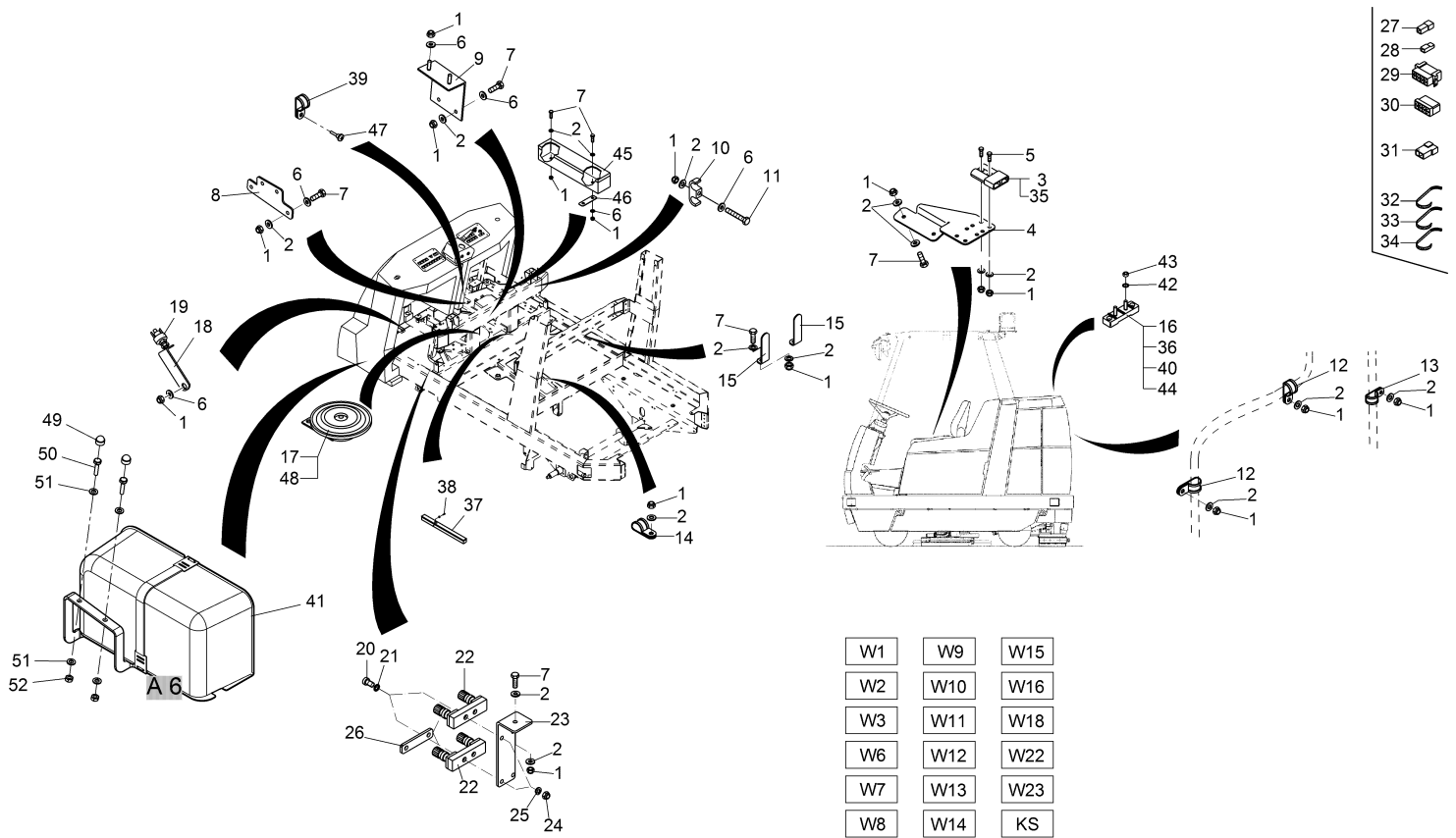
Electrical equipment part 1 (97111868-1)



**Electrical equipment part 1 (97111868-1)**

Item	Part number	Description	Qty.	Unit	Remarks
37	00865630	Sealing tape	0,700		
38	00521380	Control element	2		
39	00521390	Front frame black	2		
40	00521410	Pressure hood	2		
41	00745840	Print plate holder	4		
42	00132360	lens head screw M4x10	5		
43	00558830	Snap nut	4		
44	00157690	Annular plate	4		
45	00121150	Cable tie	71		
46	00967760	Cable tie	10		
47	01177850	Battery tray	1		
48	00752350	Edge protection	1,000		
49	00291390	Socket profil	0,550		
50	00745890	Set (2pc.) key	1		
51	00053680	Distance bolt	5		
52	00154240	Lock washer	5		
53	00127470	Buffer	2		
54	00133770	Press switch	1		
55	00052810	Hex. Nut	5		
56	00121010	Cable tie	1		
57	00903180	Male-housing	1		
58	00903170	Tab	2		
59	00722240	Console R.H.	1		in direction of travel: left hand!
60	00521370	Luminous push-button	1		
61	01178600	Gasket	1		
62	01073210	Iron sleeve	1		
63	00053400	Lock washer	2		
64	00053330	Hex. Nut	2		

**Electrical equipment part 2 (97111868-2)**

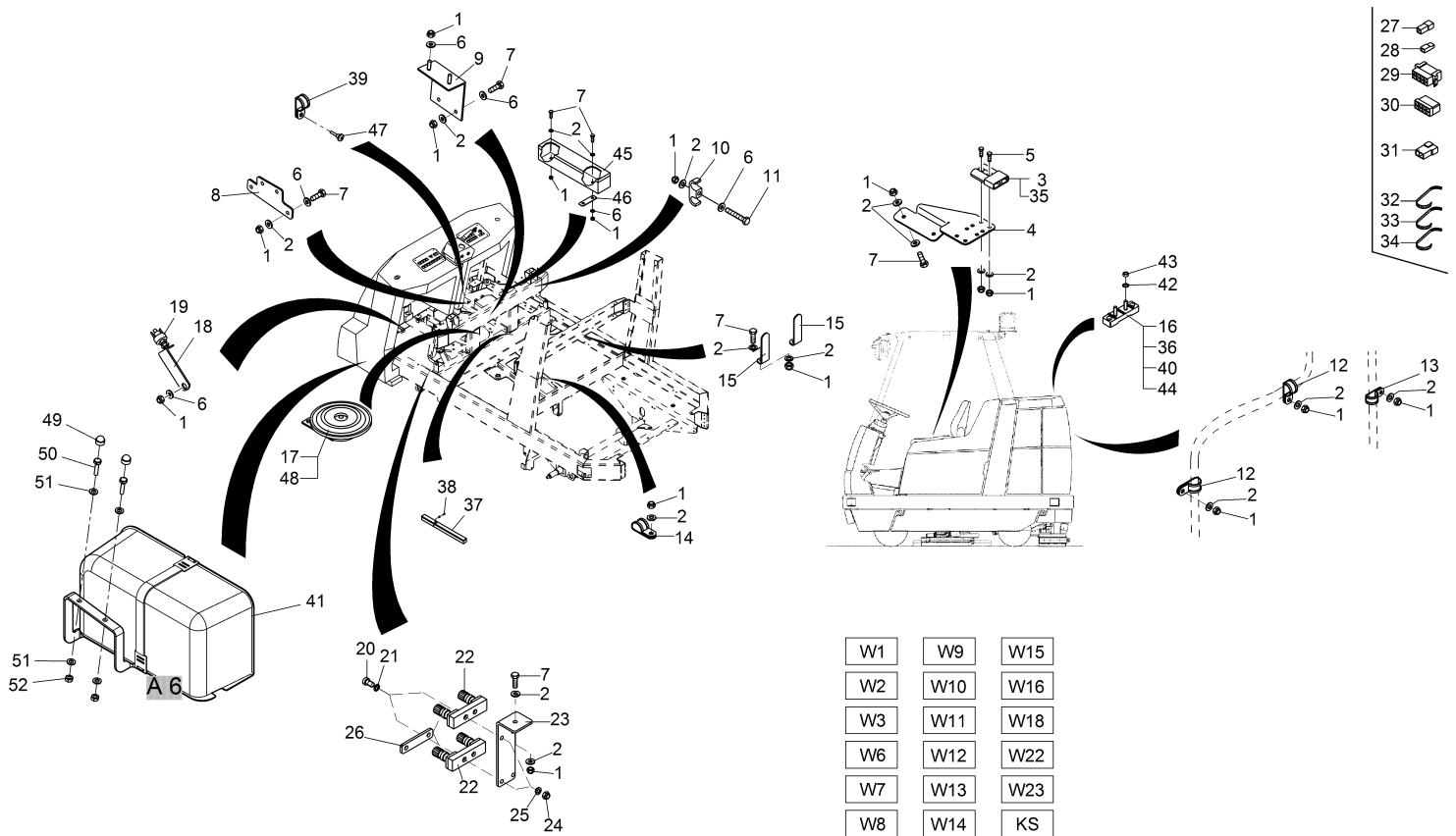


**Electrical equipment part 2 (97111868-2)**

Item	Part number	Description	Qty.	Unit	Remarks
1	00051520	Hex. Nut	20		
2	00053730	Washer	24		
3	00540210	Charging plug	1		
4	01177730	Plate	1		
5	00053290	Hexagon screw	2		
6	00135120	Washer	26		
7	00053020	Hexagon screw	4		
8	00974540	Support	1		
9	00975070	Support	1		
10	00748300	Clamp	1		
11	00535110	Hex.bolt	5		
12	00109470	Tube clamp	4		
13	00130260	Tube clamp	2		
14	00130250	Pipe clamp	4		
15	00974570	Angle	2		
16	00152830	Clamp strip	2		
17	00050810	Signal horn	1		
18	00974590	Angle	1		
19	00028680	Stop light switch	1		
20	00731550	Fillister-head screw	2		
21	00053710	Washer	1		
22	00121440	Fuse holder	4		
23	00730820	Angle	1		
24	00133830	Hex. Nut	4		
25	00053860	Spring washer	2		
26	00730830	Strap	2		
27	00083650	Male-housing 1-pole FASTIN-ON 6,3	1		
28	00083640	Female-housing 1-pole Positive Lock	1		
29	00956310	Jumper cable	1		
30	00956300	Jumper cable	1		
31	00903180	Male-housing	1		
32	00967760	Cable tie	10		
33	00121010	Cable tie	16		
34	00121150	Cable tie	70		
35	00927190	Contact maker	2		
36	00044550	Countersunk screw	4		



**Electrical equipment part 2 (97111868-2)**



**Electrical equipment part 2 (97111868-2)**

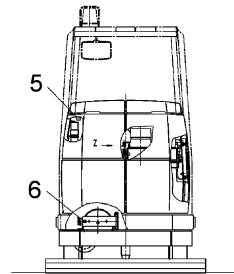
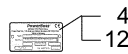
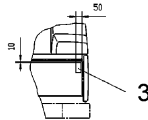
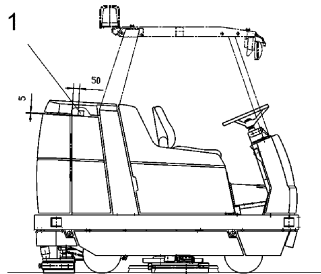
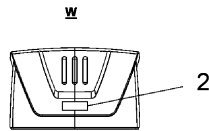
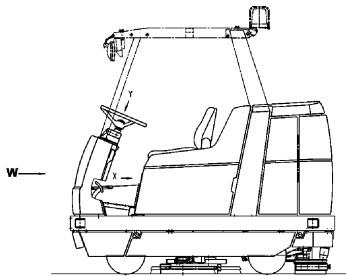
Item	Part number	Description	Qty.	Unit	Remarks
37	01177740	Wiring channel	0,670		
38	00959220	Screw	2		
39	00903290	Tube clamp	1		
40	00027160	Lens cap	4		
41	<b>97110688</b>	<b>Driving control</b>	<b>Page</b>	<b>95</b>	
42	00127100	Toothed washer	4		
43	00959620	Hex. Nut	4		
44	00051340	Hex. Nut	4		
45	01177750	Wiring channel	0,400		
46	00974510	Bracket	1		
47	00961490	Screw	1		
48	00121230	Interferense condenser	1		
49	00131610	Lens cap	2		
50	00053090	Hexagon screw	2		
51	00053750	Washer	4		
52	00051510	Hex. Nut	2		
KS	---	Spare part on request	1		97111447 Cable loom
W1	03014290	Wiring harness W1	1		
W2	---	Spare part on request	1		97111454 Wiring harness W2
W3	03014300	Wiring harness W3	1		
W6	03013870	Wiring harness W6	1		
W7	03013910	Wiring harness W7	1		
W8	---	Spare part on request	1		97111470 Wiring harness W8
W9	---	Spare part on request	1		97107700 Wiring harness W9
W10	---	Spare part on request	1		97107718 Wiring harness W10
W11	03014110	Wiring harness W11	1		
W12	---	Spare part on request	1		97111488 Wiring harness W12
W13	03012600	Wiring harness W13	1		
W14	03014350	Wiring harness W14	1		
W15	03014000	Wiring harness W15	1		
W16	03014960	Wiring harness W16	1		
W18	---	Spare part on request	1		97108872 Wiring harness W18
W22	03014370	Wiring harness W22	1		
W23	---	Spare part on request	1		97111520 Wiring harness W23



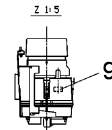
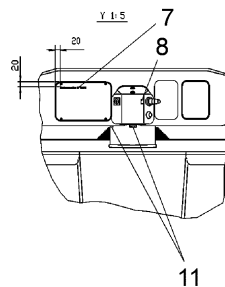
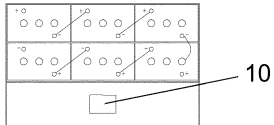
**Driving control (97110688)**

Item	Part number	Description	Qty.	Unit	Remarks
1	00501420	Screw	2		
2	00121440	Fuse holder	1		
3	---	Spare part on request	1		96126065 Retainer
4	00133830	Hex. Nut	2		
5	00053710	Washer	8		
6	00965060	Solenoid switch	1		
7	00023080	Hex.bolt	2		
8	---	Spare part on request	1		90572215 Cooling body Sk132
9	---	Spare part on request	1		90571845 Sheet metal
10	00053730	Washer	4		
11	00051520	Hex. Nut	4		
12	01178620	Driving control	1		
13	00523520	Hex.bolt	4		
14	00109580	Bracket	2		
15	01177110	Tension band	1		
16	01079800	Hood	1		
17	00853830	fuse link	1		

Labels (97126742)



Top view on battery room



**Labels (97126742)**

Item	Part number	Description	Qty.	Unit	Remarks
1	01074400	Decal caustic solution tank	1		
2	03008390	Decal POWERBOSS	1		
3	01177770	Decal INSTUCTION MANUEL	1		
4	03008410	Type plate POWERBOSS	1		
5	01170060	Decal FOUL WATER	1		
6	01170130	Decal	1		
7	---	Spare part on request	1		17205691 Decal Admiral Plus Series
8	01170140	Decal	1		
9	01170150	Decal SOLUTION TANK	1		
10	03009170	Decal Battery wiring	1		
11	01131560	Decal PARKING BRAKE	1		
12	00504370	Blind rivet	2		

## Warranty Information

Revision F  
Effective November 1, 2008  
PowerBoss Made Simple Industrial Limited Warranty

Minuteman International owner of PowerBoss warrants to the original purchaser/user that the product is free from defects in workmanship and materials under normal use. PowerBoss will, at its option, repair or replace without charge, parts that fail under normal use and service when operated and maintained in accordance with the applicable operation and instruction manuals. All warranty claims must be submitted through and approved by factory authorized repair stations.

This warranty does not apply to normal wear, or to items whose life is dependent on their use and care. Parts not manufactured by PowerBoss are covered by and subject to the warranties and/or guarantees of their manufacturers. Please contact Minuteman International for procedures in warranty claims against these manufacturers.

**Special warning to purchaser** -- Use of replacement parts not manufactured by PowerBoss or its designated licensees, will void all warranties expressed or implied. A potential health hazard exists without original equipment replacement.

All warranted items become the sole property of Minuteman International or PowerBoss or its original manufacturer, whichever the case may be.

PowerBoss disclaims any implied warranty, including the warranty of merchantability and the warranty of fitness for a particular purpose. PowerBoss assumes no responsibility for any special, incidental or consequential damages.

This limited warranty is applicable only in the U.S.A. and Canada, and is extended only to the original user/purchaser of this product. Customers outside the U.S.A. and Canada should contact their local distributor for export warranty policies. PowerBoss is not responsible for costs or repairs performed by persons other than those specifically authorized by PowerBoss. This warranty does not apply to damage from transportation, alterations by unauthorized persons, misuse or abuse of the equipment, use of non-compatible chemicals, or damage to property, or loss of income due to malfunctions of the product. If a difficulty develops with this machine, you should contact the dealer from whom it was purchased.

This warranty gives you specific legal rights, and you may have other rights, which vary from state to state. Some states do not allow the exclusion or limitation of special, incidental or consequential damages, or limitations on how long an implied warranty lasts, so the above exclusions and limitations may not apply to you.

	Travel*	Labor	Parts	Engine	Extended Warranty	Costs
<b>Walk behinds</b>						
Battery sweepers	Ninety days	One year	One year	N/A	2 years Parts + Labor (or 2000 Hours)	2%
IC sweepers	Ninety days	One year	One year	Through manufacturer	2 years Parts + Labor (or 2000 Hours)	2%
Battery scrubbers	Ninety days	Two years	Three years	N/A	3 Years Parts + Labor (or 3000 Hours)	2%
<b>Riders</b>						
Battery scrubbers	Ninety days	Two years	Three years/2000 hrs	N/A	3 Years Parts + Labor (or 3000 Hours)	2%
IC sweeper/scrubbers	Ninety days	Six months	Two years/2000 hrs	Two years/3000 hrs**	2 years Parts + Labor (or 2000 Hours)	3%
IC sweepers	Ninety days	Six months	Four years/3000 hrs	Five years/3000 hrs**	4 Years Parts + 2 Years Labor (or 4000 Hours)	3%
<b>Exceptions</b>						
Apex series sweeper	Ninety days	One year	One year/1000 hrs	One year/1000 hrs**	2 years Parts + Labor (or 2000 Hours)	3%
6X sweeper	Ninety days	Six months	Two years/2000 hrs	Two years/2000 hours**	2 years Parts + Labor (or 2000 Hours)	3%

**Tank Bladders** Eight years/ no additional labor  
**Polypropylene plastic tanks** Ten years/ no additional labor  
**Batteries** 0-3 months full replacement, 4-12 prorated credit  
**Chargers** One-year replacement  
**Replacement parts** Ninety days

\*Two-hour cap

\*\*Through engine manufacturer. See section 3 of warranty manual for engine warranty exceptions

\*\*\* Based upon dealer's certification status

Extended Warranty MUST be signed up within 30 days of delivery to End User (Dealer has 1Year from Receiving Machine to Sign up extended Warranty)

Extended Warranty Cost is based on Invoice Price multiplied by the Percentage listed in the Extended Warranty Column

*All above labor and travel reimbursed at 65 or 75% of the published shop rate.*







***“The Power of Clean”***

**PowerBoss Is A Full Line Manufacturer Of Sweepers and Scrubbers For Industrial Facilities.**

PowerBoss, Inc 175 Anderson Street P.O. Box 1227- Aberdeen North Carolina 28315

Phone: 800-982-7141 - Fax: 1-800-277-7141 Local: 910-944-2105 Fax: 910-944-7409 e-mail: [techsupport@powerboss.com](mailto:techsupport@powerboss.com)

**A Member Of The Hako Group**